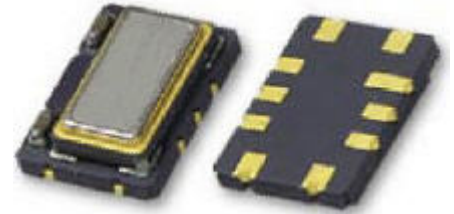


Specifications

Type:	VCTCXO
Model No.:	DE200
Frequency:	9.6MHz
Frequency Accuracy:	±0.25 ppmMAX @ -40~85C
Stability Versus	
Supply:	±0.100 ppmMAX/VCC±5%
Loading:	±0.100 ppmMAX/LOAD±10%
Operating Temperature:	-40°C ~ +85°C
Aging:	±0.1 ppmMAX/1year ±1 ppmMAX/20year
Supply Voltage:	+5VCC±5%
Current:	5 mA maximum
Output Waveform:	Clipped Sine wave
Output Level:	1.0 V p-p Min. (Industry standard)
Output Impedance:	10kΩ//10pf +/- 10%
Phase Noise: Typical	-123dBC/Hz (100Hz) -140dBC/Hz (1kHz) -150dBC/Hz (10kHz) -153dBC/Hz (100kHz)

Picture of Part

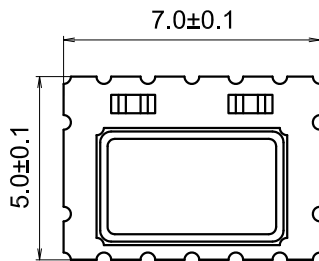


Control Voltage Characteristics

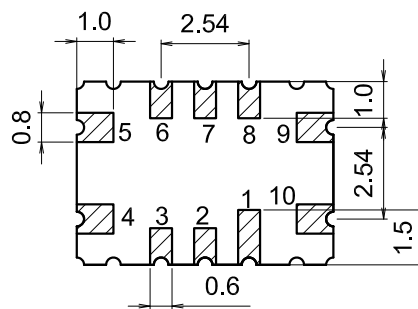
Parameter	Minimum	Nominal	Maximum	Units
Control Voltage (Vc)	0.6	2.1	3.6	V
Frequency Pullability @ 25°C	±5	-		ppm
Control Slope		Positive Slope		
Monotonic Linearity	5	-	-	%
Input Impedance	100k	-	-	Ohm
Modulation Bandwidth (3dB)	10	-	-	KHz

Mechanical Drawing and PIN Function

[Top View]

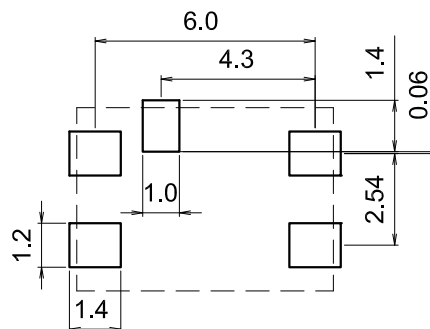
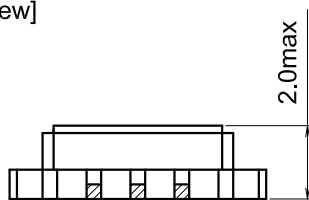


[Bottom View]



Unit: mm

[Side View]



Recommended Soldering Pattern

Pin	Function	Pin	Function
#1	NC	#6	NC
#2	NC	#7	NC
#3	NC	#8	Tri-State Control
#4	GND	#9	V _{DD}
#5	Output	#10	VCON