



Features and Benefits

- 10 Hz to 110 MHz
- Voltage control options
- 1.2V to 18.0V
- Ultra low power
- High shock and vibration
- 100°C to +300°C
- Extended operation life

Typical Applications

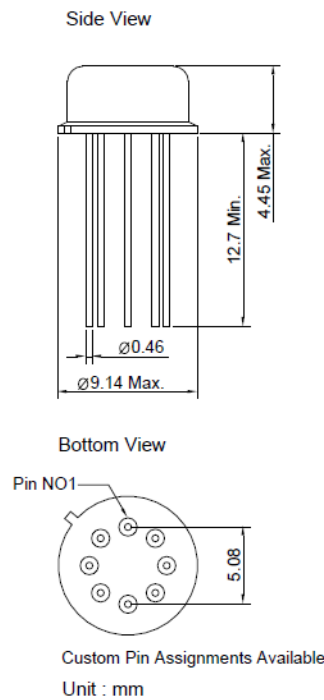
Extreme Temperature such as downhole tools

Description

Special extreme temperature components, assembly processes, and testing methods used to create a family of oscillator products capable of operating reliably at +300°C.

Mechanical Drawing & Pin Connections

Drawing No: MD150058-1



Specifications

Parameter	Specification	Note
Frequency Range	10 Hz to 110 MHz	
Overall Frequency Tolerance	+/-100PPM, +/-250PPM, +/-300PPM	Custom available
Supply Voltage(Vdd)	1.2V, 1.8V, 2.5V, 3.3V(+/-10%), or 5.0V	Option: 12V to 18V
Symmetry(Duty Cycle)	40%/60% min., 45%/55%, Other	
Logic	HCMOS/TTL	Sinewave available
Tri-State Control:	Output "0" Level	Output disable HI-Z
	Output "1" Level or Open	Oscillation
Screened to MIL-PRF-55310	Available	
Operating Temperature	0°C to +210°C Std.	Custom available
Storage Temperature	-55°C to +240°C	Option: to +300°C
Package Options	1/2 Size 8-Pin DIP; Full Size 14-Pin DIP TO-5, SMD	