



### Electrical Specifications

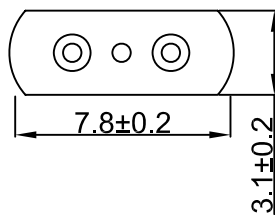
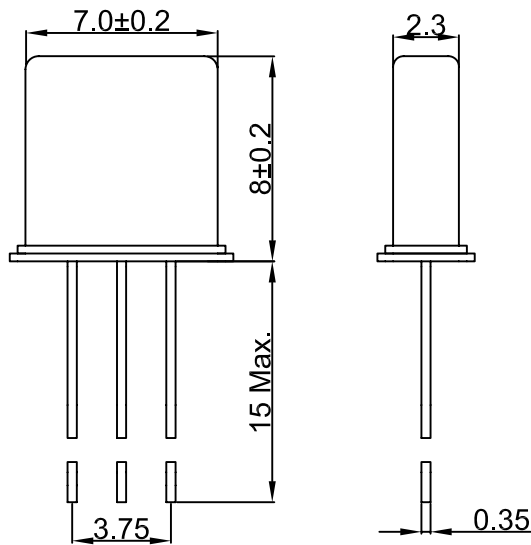
Center Frequency (Fo)	45 MHz
Number of poles	4
Channel spacing	50KHz
Passband Width @ -3dB	+/- 15 KHz min
Ripple	1 dB max
Insertion Loss	3 dB max
Stopband Width@ - 30dB	+/- 50 KHz max
Attenuation@ - 80dB	+/- 300 KHz to +/- 1000 KHz
Impedance	1200 Ohm//0.7pF

### Operating Temperature

-20°C to +70°C

### Mechanical Drawing & Pin Connections

Drawing No: MD2000\*%&



Unit in mm  
1mm = 0.0394 inches