



Features and Benefits

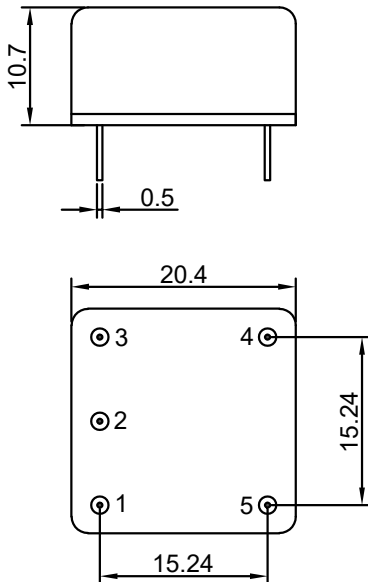
Frequency range: 25.6MHz
Supply voltage: 5.0V
Steady current: 250mA Max.
Output waveform: Sinewave
Frequency stability vs. operating temperature: ± 50 ppb
Aging: 0.5ppb/day
Phase noise@10KHz: -155dBc/Hz
Operating temperature: -40°C to +85°C
Size: 20.6x20.6x10.7mm

Typical Applications

OCXO2020AM-25.6MHz-A-V is designed for applications where exceptional frequency stability and timing is required. It has both excellent temperature performance and short-term stability. These characteristics make it an excellent choice for timing applications.

Mechanical Drawing & Pin Connections

Drawing No: MD230023-1



PIN Function

PIN #	Symbol
1	Control Voltage
2	Reference Voltage
3	GND
4	Output
5	Supply Voltage

Unit in mm
1mm = 0.0394 inches



Specifications

Oscillator Specification	Sym	Condition	Value			Unit	Note
			Min.	Typ.	Max.		
Operational Frequency	F _{nom}			25.6		MHz	
RF Output							
Signal Waveform			Sinewave				
Load	R _L		50			ohm	
Output Power			6		10	dBm	
Harmonic					-30	dBc	
Power Supply							
Supply Voltage	V _{cc}		4.75	5	5.25	V	
Power Consumption		Steady state@25°C			250	mA	
		Warm-up			650	mA	
Frequency Adjustment Range							
Reference Voltage Output		MAX 10mA	3.8	4.0	4.2	V	
Tuning Voltage	V _c		0	2.0	4.0	V	
Tuning Range			-0.5		+0.5	ppm	
Frequency Stability							
Versus Operating Temperature Range				±50		ppb	
Initial Frequency Accuracy@25°C		V _c =2.0V		±100		ppb	
Versus Supply Voltage		±5%			0.5	ppb	
Versus Load		±5%			0.5	ppb	
Aging Per Day		After 30 days			0.5	ppb	
Aging 1 st Year					100	ppb	
Phase noise		10Hz			-100	dBc/Hz	
		100Hz			-130	dBc/Hz	
		1kHz			-145	dBc/Hz	
		10kHz			-155	dBc/Hz	
Environmental, Mechanical Conditions							
Operating temperature range	-40°C to +85°C						
Storage temperature range	-45°C to +85°C						