

## OCXO2216L

SMD OCXO with Sine wave Output

### Features and Benefits

Sine wave output  
Frequency Tuning Input  
2 minutes max warm-up  
22.7x15.1x11mm max

### Description

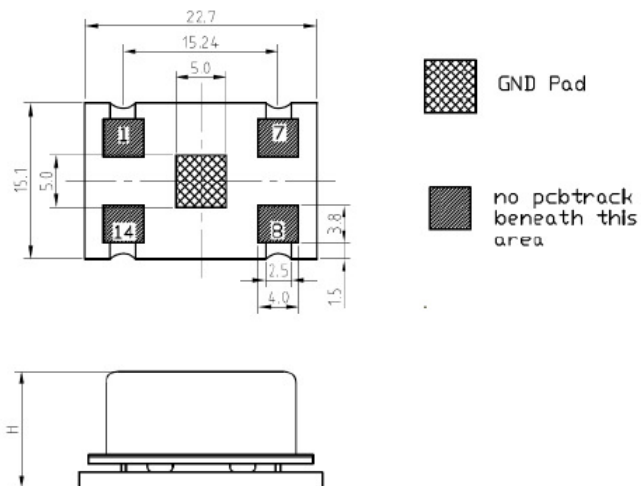
OCXO2216L is 2 minutes max fast warm-up OCXO with Sine wave output

### Typical Applications

Signal Analyzer Reference for internal synthesizers  
Harsh Environment Applications

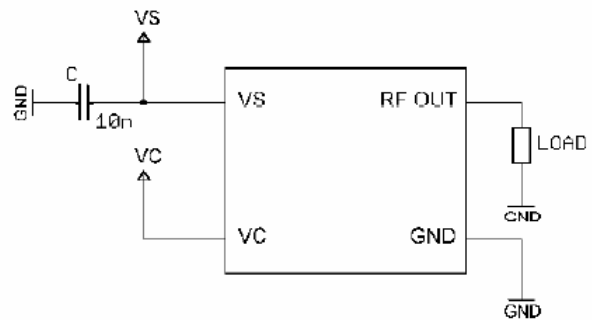
### Mechanical Drawing & Pin Connections

Drawing No: MD140073-1



### Pin connections

Pin #	Symbol	Function
1	$V_C$	Control Voltage (EFC)
7	GND	Ground
8	RF OUT	RF Output
14	$V_S$	Supply Voltage



**OCXO2216L**

SMD OCXO with Sine wave Output

**Specifications**

OCXO Specification	Sym	Condition	Value			Unit	Note
			Min.	Typ.	Max.		
Frequency Range	F <sub>0</sub>		10		125	MHz	
Standard Frequencies			10.000/20.000/80.000/100.000			MHz	
<b>RF Output</b>							
Output Waveform			Sine wave				
Load		+/-10%		50		Ohm	
Output Level			+3			dBm	
Harmonics					-25	dBc	
<b>Power Supply</b>							
Voltage	V <sub>cc</sub>		3.15	3.3	3.45	V	Optional
			4.75	5.0	5.25		
			11.4	12.0	12.6		
Current Consumption(Steady State)	I <sub>Steady</sub>	@ V <sub>cc</sub> =3.3V			300	mA	Optional
		@ V <sub>cc</sub> =5V			200		
		@ V <sub>cc</sub> =12V			100		
Current Consumption(Warm-up)	I <sub>Warm-up</sub>	@ V <sub>cc</sub> =3.3V			700	mA	Optional
		@ V <sub>cc</sub> =5V			500		
		@ V <sub>cc</sub> =12V			200		
Warm-up Time@+25°C		Δf <sub>final</sub> /f <sub>0</sub> <+/-0.1ppm			2	min	
<b>Frequency Control*</b>							
Electronic Frequency Control(EFC)		For AT-Cut	+/-2		+/-5	ppm	Optional
		For SC-Cut	+/-1				
EFC Voltage	V <sub>c</sub>	@ V <sub>cc</sub> =3.3V	0.15	1.65	3.15	V	Optional
		@ V <sub>cc</sub> =5V or 12V	0.25	2.50	4.75	V	
EFC Input Impedance			100			Kohm	
EFC Slope	Δf/V <sub>c</sub>		Positive				
<b>Frequency Stability</b>							
Initial Tolerance @+25°C		V <sub>c</sub> @ Centre value			+/-500	ppb	
Vs. Operating Temperature Range		Steady state			+/-10	ppb	For more information, Please consult sale
Vs. Supply Voltage Variation(Pushing)		Vs+/-5%			+/-10	ppb	
Vs. Load Change(Pulling)		Load+/-10%			+/-20	ppb	
Aging	Long Term Per Day (After 30 Days Operation)	For AT-Cut			+/-10	ppb	Optional
		For SC-Cut			+/-2		
	Long Term 1 <sup>st</sup> Year (After 30 Days Operation)	For AT-Cut		+/-300	+/-500	ppb	Optional
		For SC-Cut		+/-100	+/-200		
<b>Phase Noise</b>							
Consult Sale							
<b>Environmental</b>							
Packing	Palette or tube						
Size	22.7x15.1x11mm max						
Weight	7g max						