



Features and Benefits

- High stability OCXO
- Sine wave output
- Frequency Tuning Input
- 5 minutes max warm-up
- 25.8x25.8x12.7mm max

Description

OCXO2525L-10MHz-A-V offers a specially designed 10MHz SC-cut crystal impedance matched to the oscillator and amplifier circuits to deliver consistent world class phase noise on all production shipments.

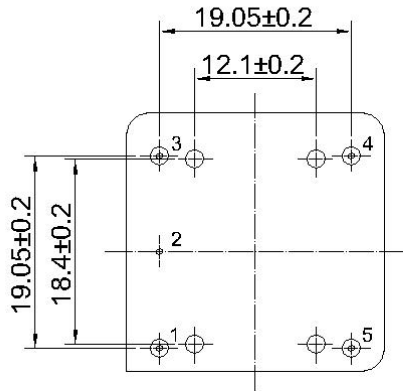
Typical Applications

- Ref. for Microwave comm. System
- signal analyzer Reference for internal synthesizers
- SATCOM systems

Mechanical Drawing & Pin Connections

Drawing No: MD13022-2

Bottom View

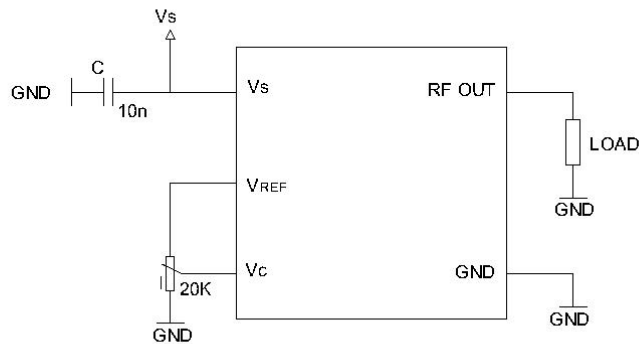
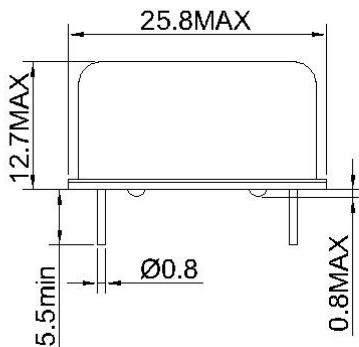


Pin Connections:

PIN #	Symbol	CONNECTION
1	RF OUT	RF Output
2	GND	Ground, case
3	Vc	Control Voltage(EFC)
4	VREF	Reference Voltage
5	Vs	Supply Voltage

Unit : mm

Side View





Specifications

OCXO Specification	Sym	Condition	Value			Unit	Note
			Min.	Typ.	Max.		
Frequency Range	F ₀			10.000		MHz	
RF Output							
Output Waveform			Sine wave				
Load	R _L	+/-5%		50		Ohm	
Output Level			+7			dBm	
Harmonics					-30	dBc	
Spurious					-90	dBc	
Power Supply							
Voltage	V _{cc}		11.4	12.0	12.6	V	
Current Consumption(Steady State)	I _{steady}	@+25°C			150	mA	
Current Consumption(Warm-up)	I _{warm-up}				400	mA	
Warm-up Time@+25°C		$\Delta f_{final}/f_0 < +/-0.1ppm$		3	5	min	
Frequency Control*							
Electronic Frequency Control(EFC)			+/-0.8	+/-1		ppm	
Reference Output	V _{REF}			10.0		V	
EFC Voltage	V _c		0	V _{REF} /2	V _{REF}	V	
EFC Input Impedance			100			Kohm	
EFC Slope	$\Delta f/V_c$		Positive				
Frequency Stability							
Initial Tolerance @+25°C		V _c @ V _{REF} /2			+/-300	ppb	
Vs. Operating Temperature Range		From -40°C to +70°C Steady state			+/-10	ppb	
Vs. Supply Voltage Variation(Pushing)		V _s +/-5%			+/-10	ppb	
Vs. Load Change(Pulling)		Load+/-5%			+/-5	ppb	
Aging	Long Term Per Day (After 30 Days Operation)				+/-2	ppb	
	Long Term 1 st year (After 30 Days Operation)			+/-50	+/-200	ppb	
Phase Noise							
Phase Noise		@1Hz			-100	dBc/Hz	
		@10Hz			-125	dBc/Hz	
		@100Hz			-145	dBc/Hz	
		@1KHz			-160	dBc/Hz	
		@10KHz			-165	dBc/Hz	
		@100KHz			-170	dBc/Hz	
Environmental							
Packing	Palette						
Size	25.8x25.8x12.7mm max						
Weight	20g max						