



Features and Benefits

- 10MHz Frequency
- 3.3V Supply voltage
- CMOS Output
- ±10ppb Stability Vs -20C ---+70C
- 36x27x15mm Size

Typical Applications

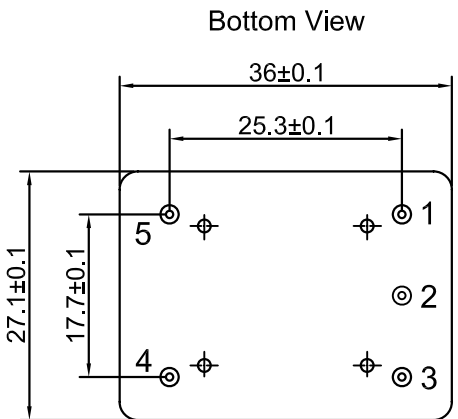
- Synthesizers
- SATCOM System
- Portable Applications

Description

OCXO3627AM-10MHz-A-V offers good frequency stability and low phase noise performance.

Mechanical Drawing & Pin Connections

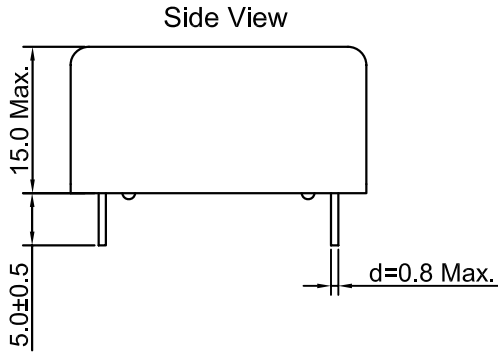
Drawing No: MD140062-*



Pin Connections:

Pin	Symbol	Function
1	V _c	Control Voltage(EFC) or N.C.
2	V _{REF}	Reference Voltage or N.C.
3	V _s	Supply Voltage
4	RF OUT	RF Output
5	GND	Ground

Unit in mm
1mm = 0.0394 inches





Specifications

Oscillator Specification	Sym	Condition	Value			Unit	Note
			Min.	Typ.	Max.		
Operational Frequency	F _{nom}			10		MHz	
Output				CMOS			
Load				15		pF	
Duty Cycle			45	50	55	%	
Rise/Fall time					7	nS	
Power Supply							
Voltage	V _{cc}		3.15	3.3	3.45	V	
Current		Warm up			900	mA	
		Steady state			300	mA	
Tuning voltage			0	1.5	3	V	
Pulling range			-2		+2	ppm	
Frequency Stability							
Versus temperature				±10		ppb	
Versus change in supply voltage					5	ppb	
Versus change in load					1	ppb	
First Year Aging					200	ppb	
Aging/day					1	ppb	
Phase noise		10Hz			-125	dBc/Hz	
		100Hz			-140	dBc/Hz	
		1KHz			-150	dBc/Hz	
		10KHz			-155	dBc/Hz	
Environmental Conditions							
Operating temperature range			-20°C to 70°C				
Storage temperature range			-55°C to 100°C				