



Features and Benefits

- 162MHz Frequency
- 12V Supply voltage
- Sine wave Output
- ±50ppb Stability Vs -20C --+70C
- 36x27x15mm Size

Typical Applications

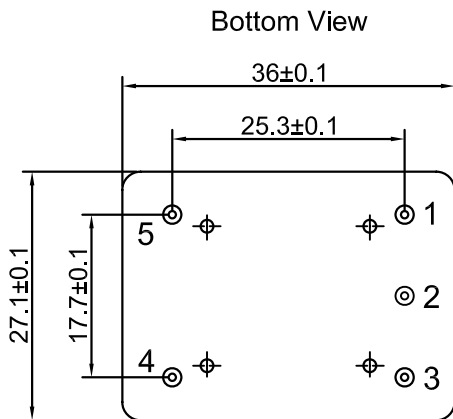
- Synthesizers
- SATCOM System
- Portable Applications

Description

OCXO3627AM-162MHz-A-V offers good frequency stability and low phase noise performance.

Mechanical Drawing & Pin Connections

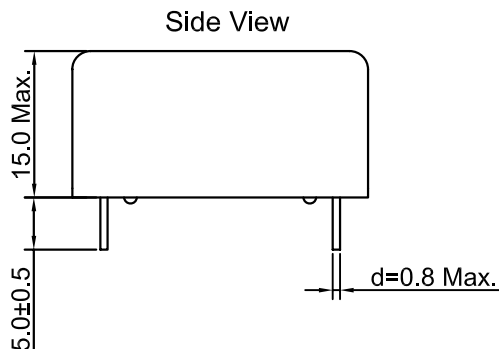
Drawing No: MD150083-3



Pin Connections:

| Pin | Symbol | Function |
|-----|------------------|------------------------------|
| 1 | V _c | Control Voltage(EFC) or N.C. |
| 2 | V _{REF} | Reference Voltage or N.C. |
| 3 | V _s | Supply Voltage |
| 4 | RF OUT | RF Output |
| 5 | GND | Ground |

Unit in mm
1mm = 0.0394 inches





Specifications

| Oscillator Specification | Sym | Condition | Value | | | Unit | Note |
|---------------------------------|------------------|--------------|-----------------|-----------|-------|--------|------|
| | | | Min. | Typ. | Max. | | |
| Operational Frequency | F _{nom} | | | 162 | | MHz | |
| Output | | | | Sine wave | | | |
| Load | | | | 50 | | ohm | |
| Harmonic | | | | | -30 | dBc | |
| Spurious | | | | | -75 | dBc | |
| Output power | | | 6 | 8 | 10 | dBm | |
| Power Supply | | | | | | | |
| Voltage | V _{cc} | | 11.75 | 12 | 12.25 | V | |
| Current | | Warm up | | | 450 | mA | |
| | | Steady state | | | 150 | mA | |
| Tuning voltage | | | 0.5 | 4.5 | 8.5 | V | |
| Pulling range | | | -0.5 | | +0.5 | ppm | |
| Frequency Stability | | | | | | | |
| Versus temperature | | | . | ±50 | | ppb | |
| Versus change in supply voltage | | | | | 5 | ppb | |
| Versus change in load | | | | | 5 | ppb | |
| First Year Aging | | | | | 200 | ppb | |
| Aging/day | | | | | 3 | ppb | |
| Phase noise | | 10Hz | | | -85 | dBc/Hz | |
| | | 100Hz | | | -120 | dBc/Hz | |
| | | 1KHz | | | -145 | dBc/Hz | |
| | | 10KHz | | | -155 | dBc/Hz | |
| Environmental Conditions | | | | | | | |
| Operating temperature range | | | -20°C to +70°C | | | | |
| Storage temperature range | | | -55°C to +100°C | | | | |