

**Features and Benefits**

- High stability OCXO
- HCMOS output
- Frequency Tuning Input
- 5 minutes max warm-up
- 36.1x27.2x16mm max

**Description**

OCXO3627L is High stability Eurocase OCXO with HCMOS output

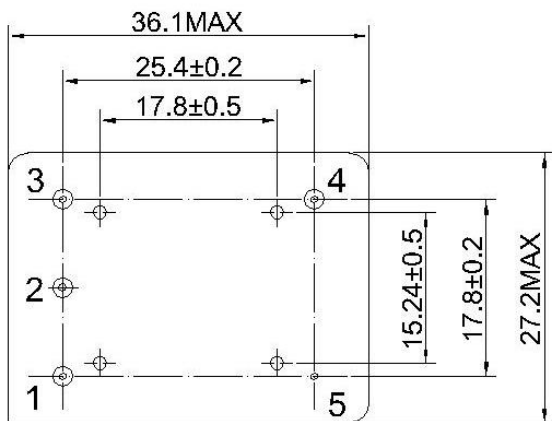
**Typical Applications**

- Signal Analyzer Reference for internal synthesizers
- Harsh Environment Applications

**Mechanical Drawing & Pin Connections**

Drawing No: MD140062-1

Bottom View

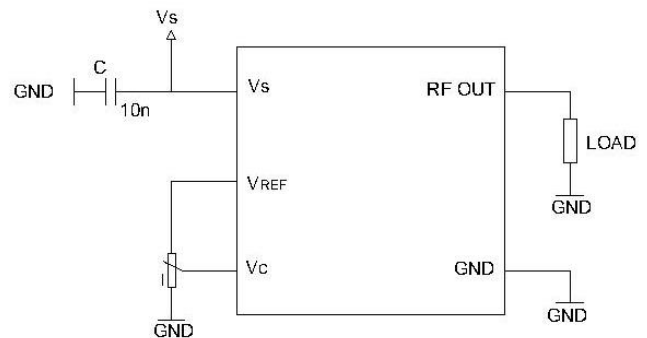
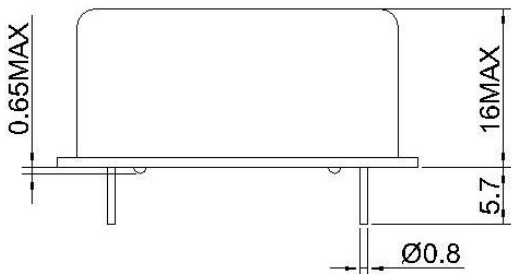


Pin Connections:

Pin	Symbol	Function
1	Vc	Control Voltage(EFC)
2	VREF	Reference Voltage
3	Vs	Supply Voltage
4	RF OUT	RF Output
5	GND	Ground

Unit : mm

Side View



**OCXO3627L**

High Stability Eurocase OCXO

**Specifications**

OCXO Specification	Sym	Condition	Value			Unit	Note
			Min.	Typ.	Max.		
Frequency Range	F <sub>0</sub>		5		125	MHz	
Standard Frequencies			10.000/32.768			MHz	
<b>RF Output</b>							
Output Waveform			HCMOS				
Load				15		pF	
Symmetry(Duty Cycle)		@ V <sub>s</sub> /2	40		60	%	
Rise & Decay Time		@10% to 90% V <sub>s</sub>			5	ns	
<b>Power Supply</b>							
Voltage	V <sub>cc</sub>		4.75	5.0	5.25	V	Optional
			11.4	12.0	12.6		
Current Consumption(Steady State)	I <sub>steady</sub>	@ V <sub>cc</sub> =5V			250	mA	Optional
		@ V <sub>cc</sub> =12V			150		
Current Consumption(Warm-up)	I <sub>warm-up</sub>	@ V <sub>cc</sub> =5V			600	mA	Optional
		@ V <sub>cc</sub> =12V			350		
Warm-up Time@+25°C		Δf <sub>final</sub> /f <sub>0</sub> <+/-0.1ppm		3	5	min	
<b>Frequency Control*</b>							
Electronic Frequency Control(EFC)		For AT-Cut	+/-2		+/-5	ppm	
		For SC-Cut	+/-0.8				
Reference Output	V <sub>REF</sub>	@ V <sub>cc</sub> =5V		4.0		V	Optional
		@ V <sub>cc</sub> =12V		5.0		V	
EFC Voltage	V <sub>c</sub>		0	V <sub>REF</sub> /2	V <sub>REF</sub>	V	
EFC Input Impedance			100			Kohm	
EFC Slope	Δf/V <sub>c</sub>			Positive			
<b>Frequency Stability</b>							
Initial Tolerance @+25°C		V <sub>c</sub> @ V <sub>REF</sub> /2			+/-300	ppb	
V <sub>s</sub> . Operating Temperature Range		Steady state			+/-10	ppb	For more information, Please consult sale
V <sub>s</sub> . Supply Voltage Variation(Pushing)		V <sub>s</sub> +/-5%			+/-10	ppb	
V <sub>s</sub> . Load Change(Pulling)		Load+/-10%			+/-10	ppb	
Aging	Long Term Per Day (After 30 Days Operation)	For AT-Cut			+/-10	ppb	Optional
		For SC-Cut			+/-2		
Aging	Long Term 1 <sup>st</sup> Year (After 30 Days Operation)	For AT-Cut		+/-300	+/-500	ppb	Optional
		For SC-Cut		+/-50	+/-200		
<b>Phase Noise</b>							
Consult Sale							
<b>Environmental</b>							
Packing	Palette						
Size	36.1x27.2x16mm max						
Weight	25g max						