

Features and Benefits

- High stability OCXO
- Sine wave output
- Frequency Tuning Input
- 5 minutes max warm-up
- 36.1x27.2x16mm max

Description

OCXO3628L is High stability Eurocase OCXO with Sine wave output

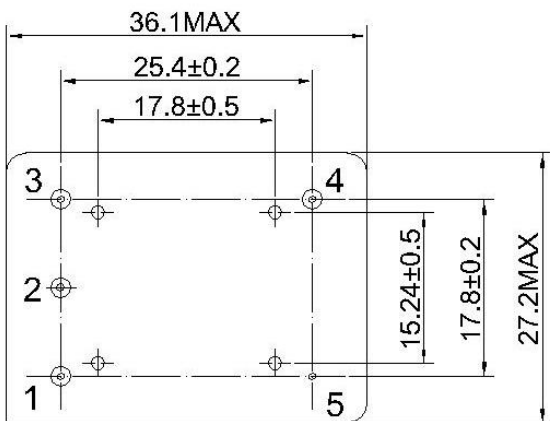
Typical Applications

- Signal Analyzer Reference for internal synthesizers
- Harsh Environment Applications

Mechanical Drawing & Pin Connections

Drawing No: MD140062-1

Bottom View

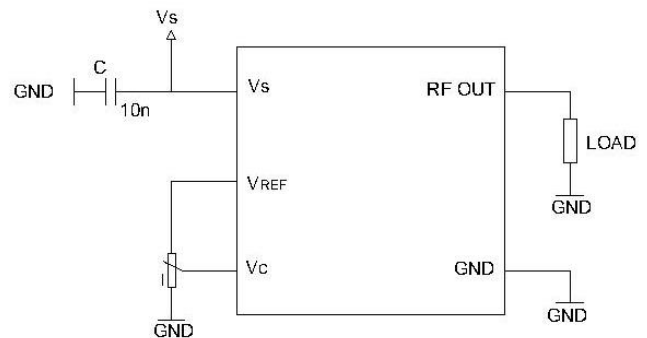
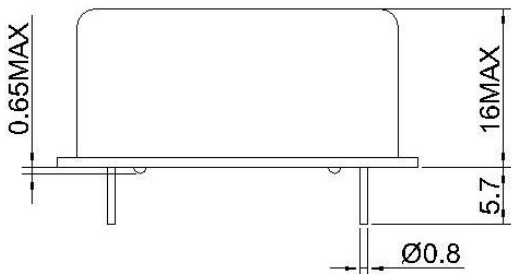


Pin Connections:

Pin	Symbol	Function
1	Vc	Control Voltage(EFC)
2	VREF	Reference Voltage
3	Vs	Supply Voltage
4	RF OUT	RF Output
5	GND	Ground

Unit : mm

Side View



OCXO3628L

High Stability Eurocase OCXO

Specifications

OCXO Specification	Sym	Condition	Value			Unit	Note
			Min.	Typ.	Max.		
Frequency Range	F ₀		5		125	MHz	
Standard Frequencies			10.000/20.000/100.000			MHz	
RF Output							
Output Waveform			Sine wave				
Load	RL	+/-10%		50		Ohm	
Output Level			+3			dBm	
Harmonics					-25	dBc	
Power Supply							
Voltage	Vcc		4.75	5.0	5.25	V	Optional
			11.4	12.0	12.6		
Current Consumption(Steady State)	I _{steady}	@ Vcc=5V			250	mA	Optional
		@ Vcc=12V			150		
Current Consumption(Warm-up)	I _{warm-up}	@ Vcc=5V			600	mA	Optional
		@ Vcc=12V			350		
Warm-up Time@+25°C		$\Delta f_{\text{final}}/f_0 < +/-0.1 \text{ ppm}$		3	5	min	
Frequency Control*							
Electronic Frequency Control(EFC)		For AT-Cut	+/-2		+/-5	ppm	
		For SC-Cut	+/-0.8				
Reference Output	V _{REF}	@ Vcc=5V		4.0		V	Optional
		@ Vcc=12V		5.0		V	
EFC Voltage	Vc		0	V _{REF} /2	V _{REF}	V	
EFC Input Impedance			100			Kohm	
EFC Slope	$\Delta f/Vc$			Positive			
Frequency Stability							
Initial Tolerance @+25°C		Vc @ V _{REF} /2			+/-300	ppb	
Vs. Operating Temperature Range		Steady state			+/-10	ppb	For more information, Please consult sale
Vs. Supply Voltage Variation(Pushing)		Vs +/-5%			+/-10	ppb	
Vs. Load Change(Pulling)		Load +/-10%			+/-10	ppb	
Aging	Long Term Per Day (After 30 Days Operation)	For AT-Cut			+/-10	ppb	Optional
		For SC-Cut			+/-2		
Aging	Long Term 1 st Year (After 30 Days Operation)	For AT-Cut		+/-300	+/-500	ppb	Optional
		For SC-Cut		+/-50	+/-200		
Phase Noise							
Consult Sale							
Environmental							
Packing	Palette						
Size	36.1x27.2x16mm max						
Weight	25g max						