

OCXO5441L
VHF OCXO With SMA Connector

Features and Benefits

-55 to +85 operating temperature range
Sine wave output
+3dBm min. output level
54x40.5x19mm

Description

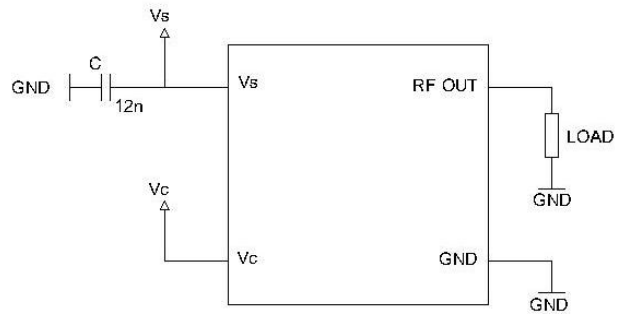
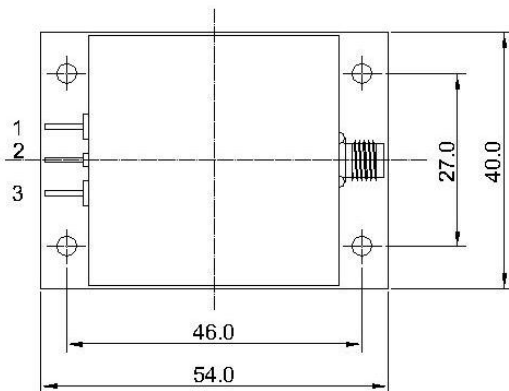
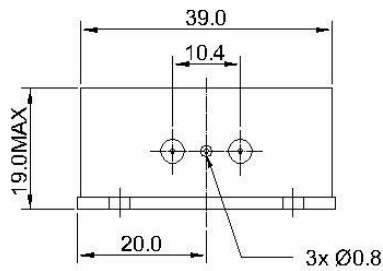
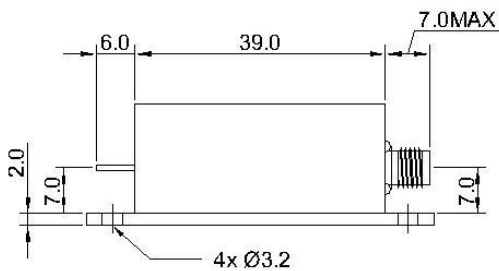
OCXO5441L series is VHF OCXO with sine wave output and SMA connector.

Typical Applications

Ref. For Microwave Comm.. System
SATCOM System
10 Gigabit Ethernet, Fiber Channel.

Mechanical Drawing & Pin Connections

Drawing No: MD140060-2



Pin Connections:

Pin#	Symbol	Function
1	Vc	Control Voltage(EFC)
2	GND	Ground
3	Vs	Supply Voltage
SMA	RF OUT	RF Output

Unit : mm

OCXO5441L

VHF OCXO With SMA Connector

Specifications

HPXO Specification	Sym	Condition	Value			Unit	Note
			Min.	Typ.	Max.		
Frequency Range	F ₀		80		130	MHz	
Standard Frequencies			80.000/95.000/96.000 100.000/125.000/128.000			MHz	
RF Output							
Output Waveform			Sine wave				
Load	RL	+/-10%		50		Ohm	
Output Level			+3			dBm	Other output level on request
Harmonics					-30	dBc	
Spurious					-90	dBc	
Warm-up Time@+25°C		$\Delta f_{\text{final}}/f_0 < +/-0.1 \text{ ppm}$		3	5	min	
Power Supply							
Voltage	Vcc		4.75 11.4	5.0 12.0	5.25 12.6		Optional
Current Consumption (Steady-state@+25°C)		Vcc=5.0V Vcc=12V			250 150	mA	
Current Consumption (Warm-up)		Vcc=5.0V Vcc=12V			600 350	mA	
Frequency Control*							
Frequency Adjust Range		AT-Cut SC-Cut	+/-2 +/-1		+/-5	ppm	Tuning Slope: Positive
Control Voltage			0.25	2.5	4.75	V	
Internal Resistance			100			Kohm	
Frequency Stability							
Initial Tolerance @+25°C		Vc@center value			+/-300	ppb	
Vs. Operating Temperature Range		-55°C to +85°C			+/-25	ppb	Other stabilities and temperature please contact our sales
Vs. Supply Voltage Change		Vs+/-5%			+/-10	ppb	
Vs. Load Change		RL+/-10%			+/-10	ppb	
Long Term Per Day (After 30 Days Operation)		AT-Cut SC-Cut			+/-10 +/-2	ppb	Lower aging on request
Long Term Aging(1 st Year) (After 30 Days Operation)		AT-Cut SC-Cut		+/-300 +/-50	+/-500 +/-200	ppb	Lower aging on request
Phase Noise							
Phase Noise			Please consult our sales				
Environmental							
Operating Temperature Range		-55 °C to +85°C					
Storage Temperature Range		-55°C to +125°C					
Size		54.0 x 40.5 x19.0mm Max.					
Weight		60g Max.					