

### Features and Benefits

Low noise output  
 Sine wave output  
 +7dBm min. output level  
 54x40x19mm

### Description

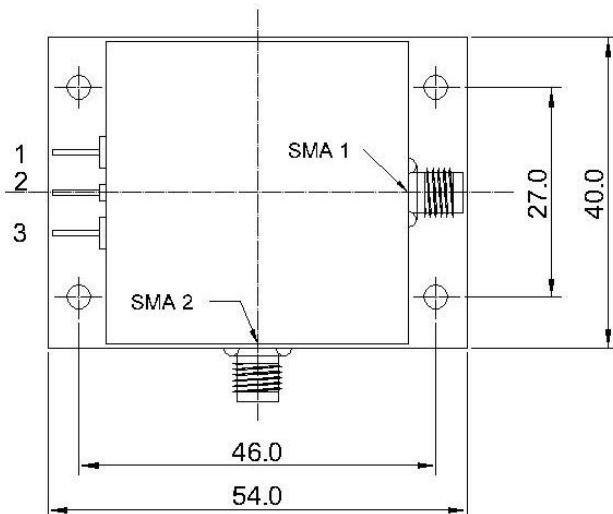
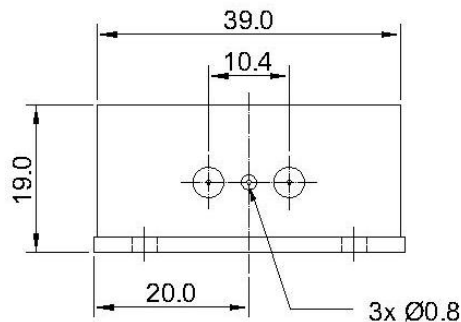
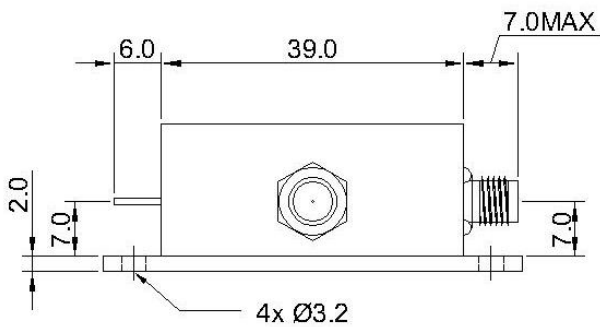
PLXO5440L series with sine wave output and SMA connector. Delivers a low noise output from a 10MHz referen input signal.

### Typical Applications

Ref. For Microwave Comm.. System  
 SATCOM System  
 Low Noise Mobile Test Equipment And Synthesizers

### Mechanical Drawing & Pin Connections

Drawing No: MD140060-3



#### Pin Connections:

Pin#	Symbol	Function
1	LD	Lock Detect Output
2	GND	Ground
3	Vs	Supply Voltage
SMA 1	RF OUT	RF Output
SMA 2	FREF	Reference Frequency Input

Unit : mm

## Specifications

HPXO Specification	Sym	Condition	Value			Unit	Note
			Min.	Typ.	Max.		
Frequency Range	F <sub>0</sub>			100.000		MHz	
<b>RF Output</b>							
Output Waveform			Sine wave				
Load	RL	+/-5%		50		Ohm	
Output Level		+5	+7			dBm	
Harmonics					-30	dBc	
Lock Detect(LD) Output		Out of lock		0	1.2	V	
		Locked	2.8	4			
<b>Power Supply</b>							
Voltage	Vcc		4.75	5.0	5.25	V	
Current Consumption		Steady-state@+25°C			300	mA	
		Warm-up			700	mA	
<b>Reference Input</b>							
Input Frequency				10.000		MHz	
Frequency Accuracy					+/-0.5	ppm	
Signal Waveform			Sine wave				
Input Level			0		+13	dBm	
Input Impedance				50		Ohm	
<b>Frequency Stability</b>							
Initial Tolerance @+25°C				+/-1	+/-2	ppm	
Vs. Operating Temperature Range		From -40°C to +85°C			+/-500	ppb	
Vs. Supply Voltage Change		Vs+/-5%			+/-10	ppb	
Vs. Load Change		RL+/-5%			+/-10	ppb	
Long Term Per Day		After 30days operation			+/-5	ppb	
Long Term Per Year		After 30days operation			+/-200	ppb	
<b>Phase Noise</b>							
Phase Noise@100MHz		@100Hz			-125	dBc/Hz	
		@1KHz			-155		
		@10KHz			-165		
		@100KHz			-170		
<b>Environmental</b>							
Operating temperature range	-40°C to +85°C						
Storage temperature range	-55°C to +125°C						
Size	54.0 x 40x19.0mm Max.						
Weight	60g Max.						