



Features and Benefits

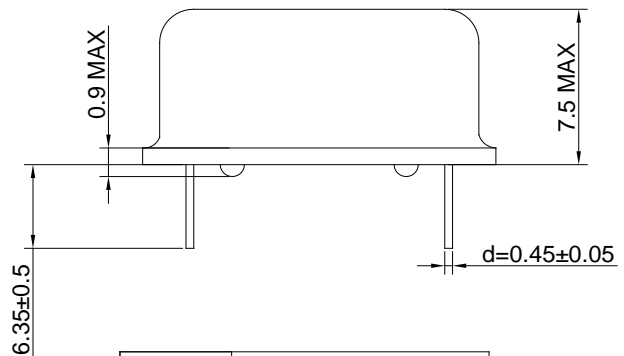
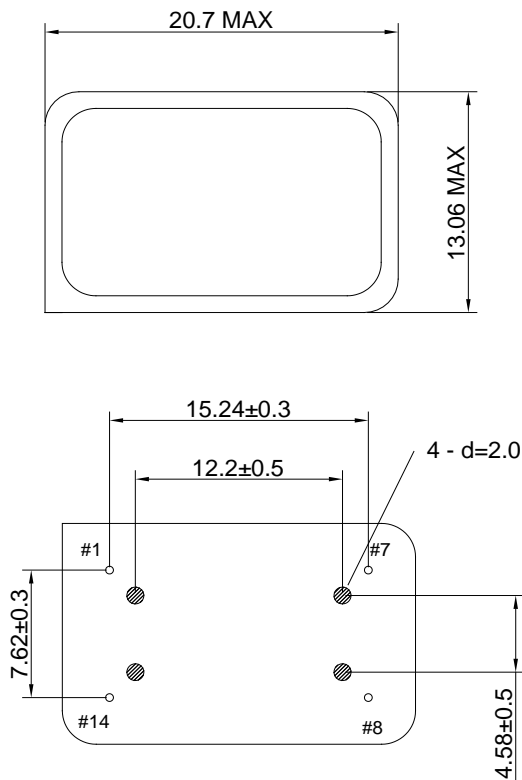
Frequency range: 80MHz
Supply voltage: 5V
Steady current: 30mA Max
Output waveform: Sinewave
Frequency stability vs. operating temperature: ± 1 ppm
Aging: ± 1.0 ppm per year
Operating temperature: -20°C to +70°C
Size: 20.7*13.06*7.5mm

Typical Applications

UHF Synthesizers
SATCOM System
Portable Microwave Applications

Mechanical Drawing & Pin Connections

Drawing No: MD160067-1



Pin	Connection
1	N.C
7	GND
8	Output
14	Vcc



Specifications

Oscillator Specification	Sym	Condition	Value			Unit	Note
			Min.	Typ.	Max.		
Operational Frequency	f ₀			80		MHz	
RF Output							
Sine wave	Level			+5		dBm	
	Load			50		Ohm	
Power Supply							
Voltage	V _{cc}	±5%		5.0		V	
Current					30	mA	
Frequency Stability							
Initial Tolerance		@25°C			±1.0	ppm	
Vs. Temperature		-20°C to +70°C			±1.0	ppm	
Vs. Supply Voltage		±5%			±0.2	ppm	
Vs. Load		±10%			±0.1	ppm	
Vs. Aging		1 st year			±1.0	ppm	
Environmental Conditions							
Operating temperature range		-20°C to +70°C					
Storage temperature range		-45°C to +90 °C					
Vibration level		0.04g ² /Hz for 1-2KHz					