



Dynamic Engineers Inc.

2550 Gray Falls Dr., Suite#128, Houston, TX, 77077 USA
TEL: 1-281-870-8822 EMAIL:Sales@DynamicEng.com

TCXO2013K-36.55MHz-A

High Performance SMD TCXO

Features and Benefits

Better than ± 1.0 PPM from -40°C to $+85^{\circ}\text{C}$

5.0V supply; 10mA maximum

Less than -130dBc/Hz @1KHz offset

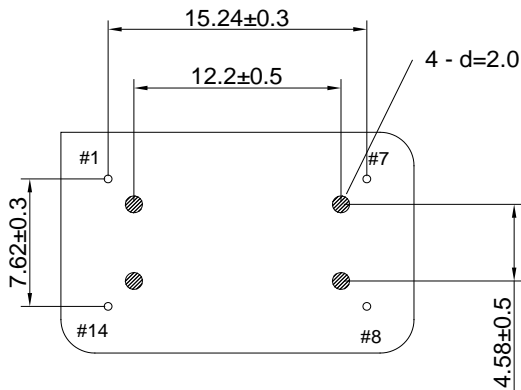
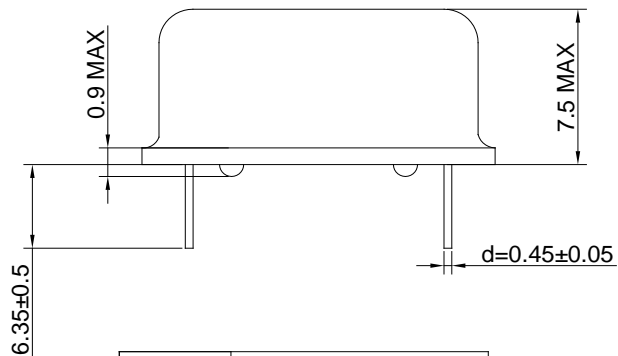
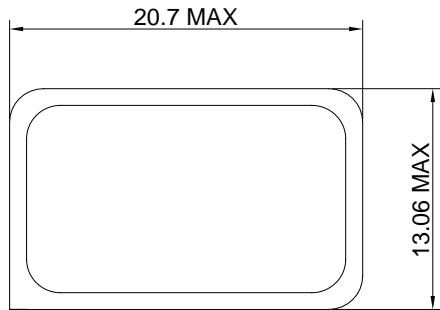
Typical Applications

Mobile Radio

Communication Equipments

Mechanical Drawing & Pin Connections

Drawing No:MD160067-1



Pin	Connection
1	N.C
7	GND
8	Output
14	Vcc



Specifications

Oscillator Specification	Sym	Condition	Value			Unit
			Min.	Typ.	Max.	
Nominal Frequency	F _{nom}			36.55		MHz
RF Output						
Output Wave Form			Sine wave			
Output Level			10	11	12	dBm
Output Load				50		ohm
Power Supply						
Supply Voltage	V _{cc}		4.75	5.00	5.25	V
Input Current					10	mA
Harmonics and Spurious						
Harmonics			-40			dBc
Spurious			-65			dBc
Frequency Stability						
VS. Tolerance		@25°C		±0.5		ppm
VS. Temperature		Over -40°C to +85°C		±1.0		ppm
VS ±10% change in supply voltage					±0.2	ppm
VS. ±10% change in load					±0.2	ppm
Aging					±1.0	ppm /year
Phase noise (typ.)		1 KHz		-130		dBc/Hz
Environmental Conditions						
Parameter	Reference Std.					
Operating temperature range	-40°C to +85°C					
Storage temperature range	-55°C to +125°C					