



### Features and Benefits

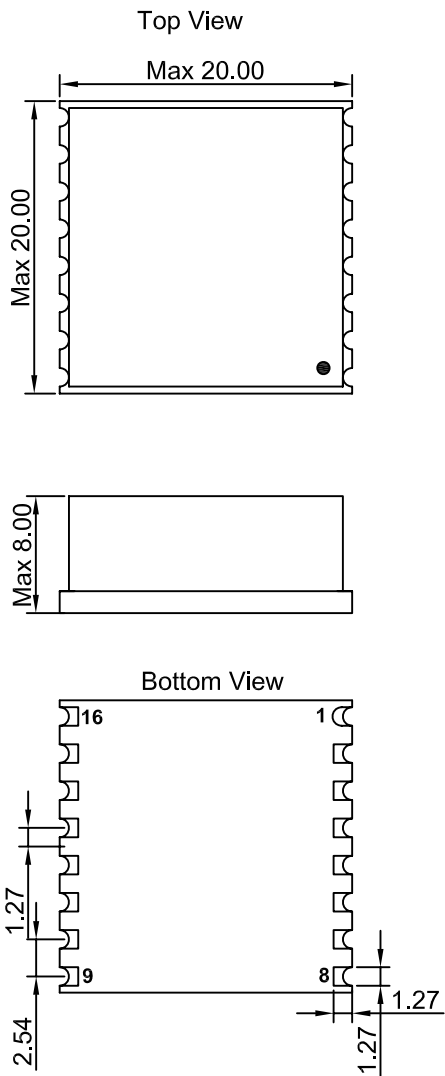
UHF temperature compensated crystal SMD oscillator  
Up to  $\pm 0.5$ ppm stability over operating temperature  
500 to 2500 MHz frequency range  
Phase noise up to -115dBc/Hz @ 10kHz

### Typical Applications

Mobile Radio  
Communication Equipment

### Mechanical Drawing & Pin Connections

Drawing No:MD160085-1



Pin Connection:

Pin#	Symbol	Function
1	Vc	Control voltag(EFC)
4	LD	Lock detect
5	NC	No connection
16	RF OUTPUT	RF output
2,7,9,13	Vs	Supply voltage
Others	GND	Ground, case

Unit : mm  
1mm=0.039inch



Specifications

Oscillator Specification	Sym	Condition	Value			Unit	Note
			Min.	Typ.	Max.		
Frequency Range	F <sub>0</sub>		500		2500	MHz	
<b>RF Output</b>							
Output Wave Form			Sine wave				
Load	R <sub>L</sub>	±5%	50			Ω	
Output Level			+7			dBm	
Harmonics					-30	dBc	
Spurious					-80	dBc	
PLL Products					-60	dBc	
Phase Noise @ 1000 MHz (Please consult DEI for phase noise of other frequencies)		@ 1 kHz @ 10 kHz			-105 -115	dBc/Hz	
<b>Power Supply</b>							
Voltage	V <sub>s</sub>		4.75	5.00	5.25	V	3.3V available
Current Consumption				70	100	mA	
Lock Detect Output LD (Internal PLL with TCXO reference)		Out of lock Locked	3.5	0 5	1.5	V V	
<b>Frequency Adjustment Range</b>							
Electronic Frequency Control (EFC)			±5			ppm	
EFC Voltage	V <sub>c</sub>		0.5	2.5	4.5	V	
EFC Slope (Δf/ΔV <sub>c</sub> )			positive				
EFC Input Impedance			100			kΩ	
<b>Frequency Stability</b>							
VS. Tolerance @+25°C					±1.0	ppm	
VS. over operating temperature range			±0.5		±3.0	ppm	Please refer to Options Tables
VS ±5% change in supply voltage	V <sub>s</sub>				±0.2	ppm	Pushing
Long Term Aging Per year				±1.0	±2.0	ppm	
<b>Environmental Conditions</b>							
<b>Parameter</b>	<b>Reference Std.</b>						
Operating temperature range	-40°C to +85°C or -20°C to +70°C						
Storage temperature	-55°C to +105°C						
Enclosure (L x W x H)	20.0 x 20.0 x 8.0 max. (mm)						
Weight	20 g						
Packing	Palette						

Note: Terminology and test conditions are according to IEC60679-1 and MIL-PRF-55310, unless otherwise stated

Absolute Maximum Ratings

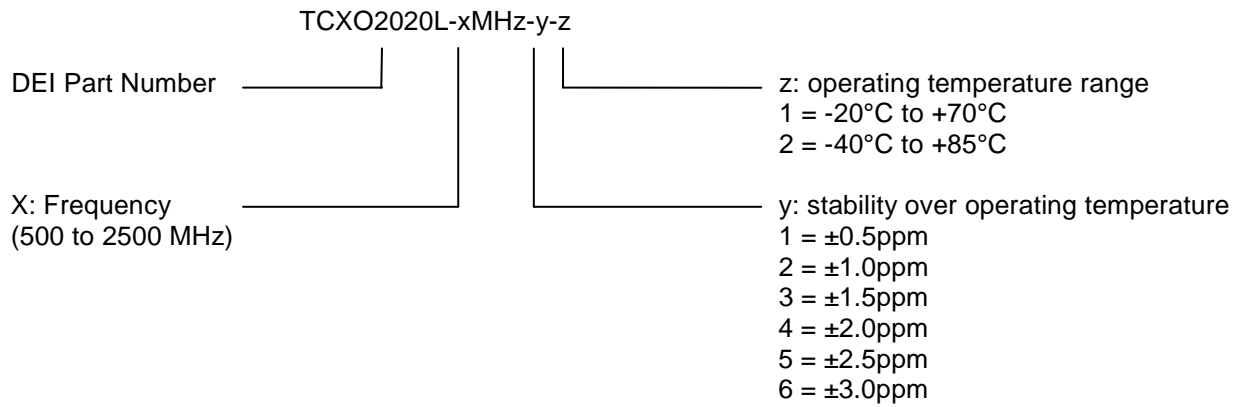
Parameter	Sym.	Condition	Min.	Max.	Unit
Supply Voltage	V <sub>s</sub>	V <sub>s</sub> to GND	-0.5	V <sub>s</sub> + 10%	V
Control Voltage	V <sub>c</sub>	V <sub>c</sub> to GND	-0.5	+7	V
Storage Temperature			-55	105	°C



### Handling and Test

Parameter	Procedure		Condition
Electrostatic Discharge (ESD)			
THD Devices	IEC60749-26	HBM	2000V
SMD Devices	IEC60749-27	MM	200V
Washable	No		
ROHS-Compliant	Yes		

### Ordering Code



### Example

TCXO2020L-1000MHz-1-1  
 Frequency = 1000 MHz  
 Stability Over Operating Temperature Range = ±0.5ppm  
 Temperature Range = -20°C to +70°C



Environmental Conditions

Test	IEC 60068 Part	IEC 60679-1 Clause	MIL-STD-202G Method	MIL-STD-810F Method	MIL-PRF-55310D Clause	Test Conditions (IEC)
Sealing Tests (if applicable)	2-17	5.6.2	112E		3.6.1.2	Gross leak; Test Qc, Fine leak; Test Qk
Solderability	2-20	5.6.3	208H		3.6.52	Test Ta Method 1
Resistance to soldering heat	2-58		210F		3.6.48	Test Td, Method 2 Test Td, Method 2
Shock*	2-27	5.6.8	213B	516.4	3.6.40	Test Ea, 2 x per axes 100g 6ms half-sine pulse
Vibration, sinusoidal*	2-6	5.6.7.1	201A 204D	516.4-4	3.6.38.1 3.6.38.2	Test FC, 30 min per axes
Vibraton random*	2-64	5.6.7.3	214A	514.5	3.6.38.3 3.6.38.4	Test Fdb
Endurance tests			108A		4.8.35	
- Aging		5.7.1				30 days @ 85°C, OCXO @ 25°C
- Extended aging		5.7.2				1000h, 2000h, 8000h @ 85°C

Other environmental conditions information available upon request.