

Features

Good Frequency Stability
 Good Phase Noise Response

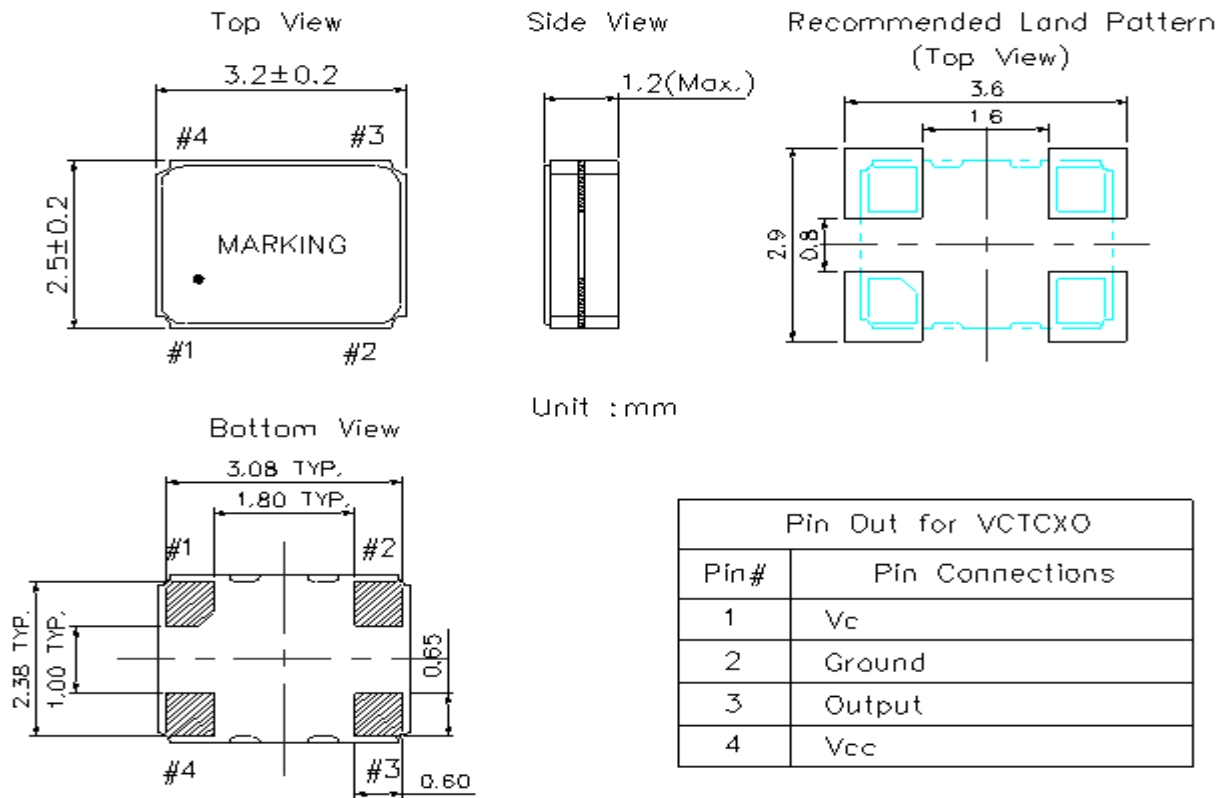
Description and Applications

3.2x2.5 mm VCTCXO for use in wireless communications devices

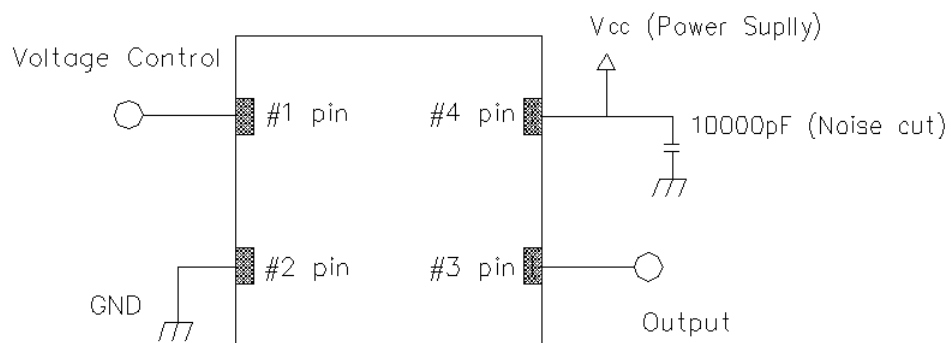
Electrical Specifications

TCXO3200T-16.32000MHz	Specifications
Nominal Frequency, Fo	16.320000 MHz
Storage Temperature Range	-40°C to +85°C
Operating Temperature Range	-30°C to +85°C
Power Supply Voltage, Vcc	3.3V +/- 5%
Output Voltage with Load 10pF//10KΩ, Vout	0.8 Vp-p min
Output Waveform	Clipped Sinewave
Control Voltage, Vcon	1.5 +/- 1.0 V
Vcon Frequency Control Range (1.5+/-1.0 V)	+/-8 ~+/-15 ppm/V
Power Supply Current, Icc	2.0 mA max
Frequency Tolerance after 2 reflow (Vcon=1.5V)	+/- 2.0 ppm max @ 25°C +/- 2°C
Frequency Stability a. Vs. Temperature (-30~85°C) b. Vs. Load varied 10pF//10KΩ+/-10% c. Vs. Supply Voltage varied 3.3V+/-5%	+/- 1.0 ppm reference to the middle point between minimum and maximum frequency value +/- 0.2 ppm +/- 0.2 ppm
Start Up Time (90% of final RF level in Vp-p)	2.5 msec max.
Aging	+/-1.0 ppm/year @25°C
Harmonics	-5.0 dBc max
SSB Phase Noise	-130 dBc/Hz max(@1KHz Carrier Offset)

Mechanical Dimensions [mm]

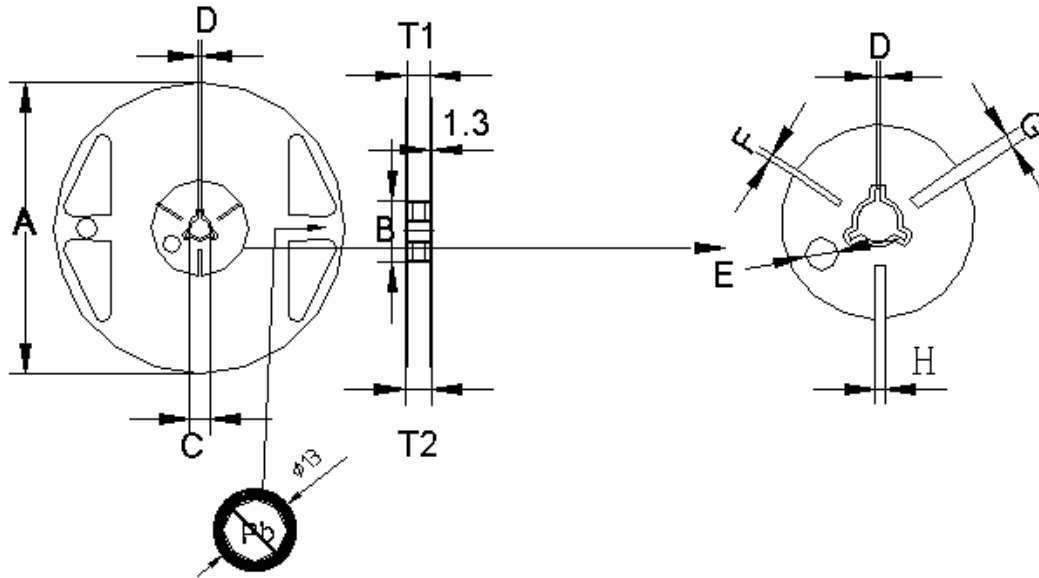


Recommended Circuit



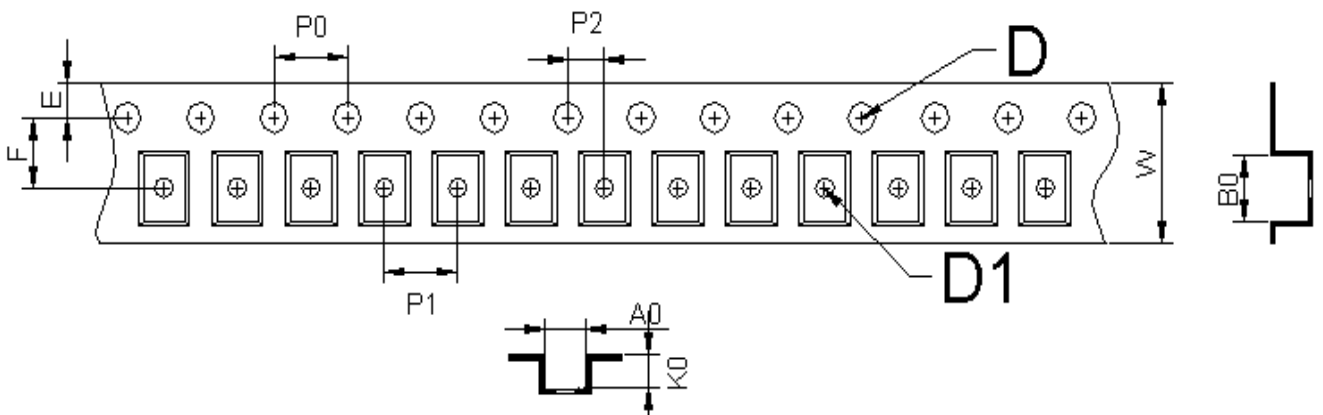
Packing [mm]

1. Reel Dimension



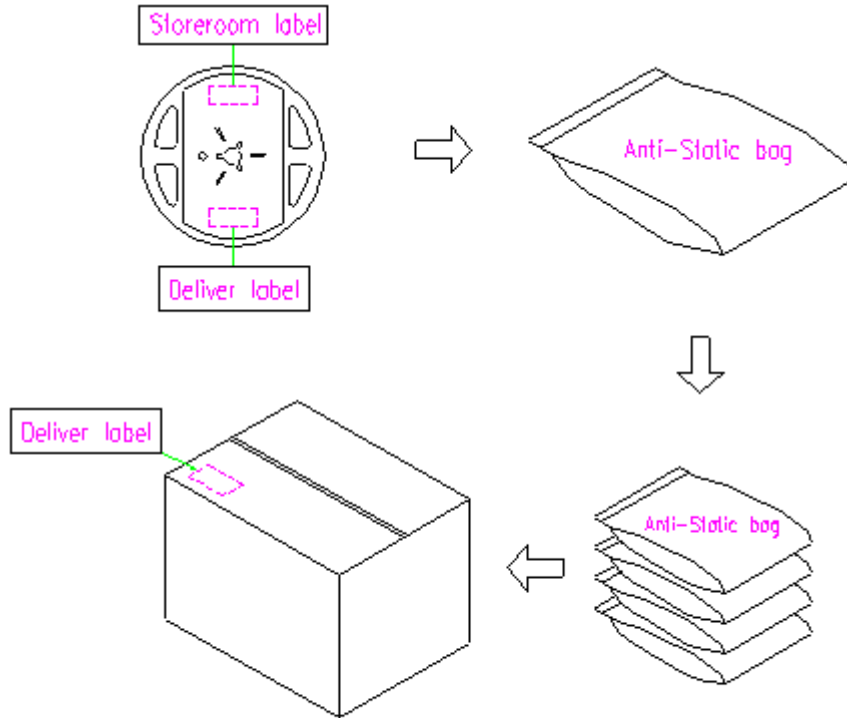
	A	B	C	D	E	F	H	G	T2	T1	T3
Dimensions	180	60	13.0	2.0	9.1	2.9	3.9	4.9	11.4	9.0	1.2
Tolerance	±1.0	+1.0	±0.2	±0.5	±0.5	±0.5	±0.5	±0.5	±1.0	±0.3	±0.1

2. Tape Dimension



Unit: mm	A0	B0	W	F	E	P0	P1	P2	D1	D	K0	t
Dimension	2.80	3.71	8.00	3.5	1.75	4.00	4.00	2	1.50	1.0	1.75	0.25
Tolerance	±0.1	±0.1	+0.3/-0.1	±0.05	±0.1	±0.1	±0.1	±0.05	+0.1/-0.00	+0.25/-0.00	±0.1	±0.02

Packing Quantity/Packing



Reflow Profile

