



Features and Benefits

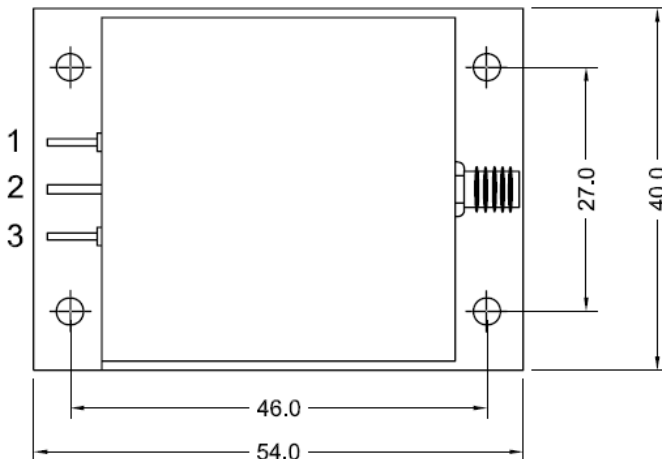
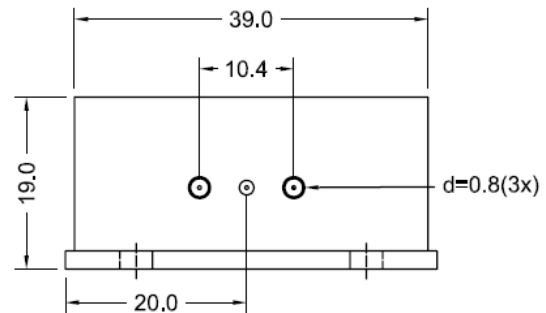
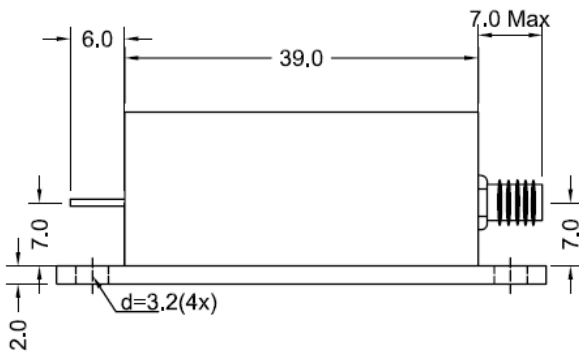
Frequency Range: 300 to 1300 MHz
 Frequency Stability: up to ± 0.5 ppm over -40°C to +85°C
 Sine Wave output

Typical Applications

Reference LO for Microwave Communications

Mechanical Drawing & Pin Connections

Drawing No: MD160079-1



Pin Connection:

Pin#	Symbol	Function
1	Vc	Control Voltage
2	GND	GND
3	Vs	Supply Voltage
SMA	RF OUT	RF Output

Unit : mm
1mm=0.0394inch

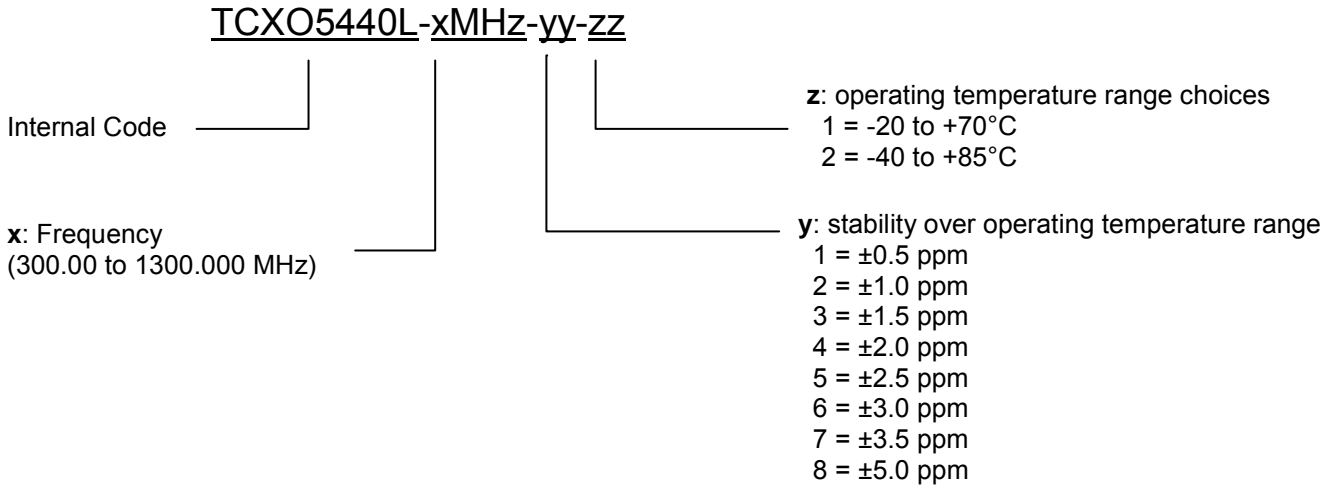


Specifications

TCXO Specification	Sym	Condition	Value			Unit	Note
			Min.	Typ.	Max.		
Operational Frequency Range	f_{out}		300		1300	MHz	
Nominal frequencies			1000.000 / 1200.00			MHz	
RF Output							
Output Waveform			Sine Wave				
Load			50			Ω	
Output Level			+7	+10		dBm	
Harmonics				-45	-40	dBc	
Sub-harmonics (multiples of $f_{out}/10$)				-45	-40	dBc	
Spurious					-80	dBc	
Power Supply							
Voltage	V_S		11.4	12.0	12.6	V	
Current Consumption		Steady State at +25°C			80	mA	
Frequency Stability							
Initial Tolerance at +25°C					± 5	ppm	
Vs. Operating Temperature Range			± 0.5 to ± 5 See Ordering System			ppm	
Vs. Supply Voltage Change	V_S	$V_S \pm 5\%$			± 1	ppm	
Vs. Load Change	R_L	$R_L \pm 5\%$			± 1	ppm	
Long Term Aging Per Year					± 1	ppm	
Phase Noise			Consult factory				
Frequency Adjustment Range							
Electronic Frequency Control (EFC)			± 5			ppm	
EFC Voltage	V_C		0.5	2.5	4.5	V	
EFC Slope ($\Delta f / \Delta V_C$)			Positive				
EFC Input Impedance			100			k Ω	
Environmental Conditions							
Operating temperature range	-20 to +70°C						
Storage temperature range	-55 to +125°C						
Size	54.0 x 40.0 x 19.0 mm						
Weight	60 g max.						



Ordering System



Example

TCXO5440L-1000.000MHz-1-1

Frequency = 1000.000 MHz
Stability Over Operating Temperature Range = ± 0.5 ppm
Temperature Range = -20 to +70°C