



Features and Benefits

- 30.72MHz Frequency
- 3.3V Supply voltage
- CMOS Output waveform
- ±0.5ppm Stability Vs -40°C to +85°C
- 7x5x2.5mm Size

Typical Applications

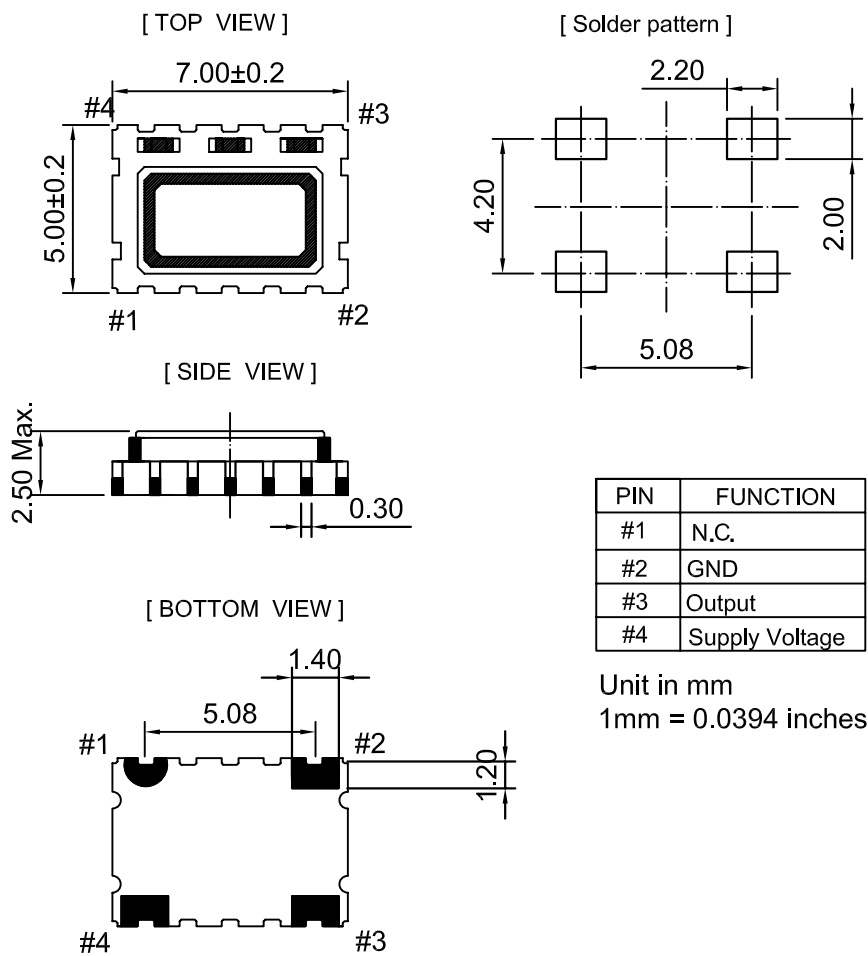
- SATCOM System
- Cellular Base Stations
- Radar Applications

Description

TCXO7500BL-30.72MHz-A is designed for applications where exceptional frequency stability and timing is required. It has both excellent temperature performance and short-term stability. These characteristics make it an excellent choice for timing applications.

Mechanical Drawing & Pin Connections

Drawing No: MD190015-1





Specifications

Oscillator Specification	Sym	Condition	Value			Unit	Note
			Min.	Typ.	Max.		
Operational Frequency	F _{nom}			30.72		MHz	
RF Output							
Signal Waveform			CMOS				
Load	R _L		15pf				
H-Level Voltage	V _H		90%V _{cc}			V	
L- Level Voltage	V _L				10%V _{cc}	V	
Output Format			DC block , AC coupled				
Duty Cycle				50		%	
Rise and fall time					10	nS	
Start up time					10	mS	
Power Supply							
Supply Voltage	V _{cc}	±5%		3.3		V	
Current					18	mA	
Frequency Stability							
Versus Operating Temperature Range		-40°C to +85°C			±0.5	ppm	
Nominal Frequency Tolerance		25°C±2°C			±2.0	ppm	
Versus supply voltage		±5% change			±0.3	ppm	
Versus load voltage		±10% change			±0.3	ppm	
Versus Reflow		1 reflow and measured 24 hours afterwards			±1.0	ppm	
Aging 1 st Year					±1.0	ppm	25°C
Phase Noise(@10MHz)		10Hz		-80		dBc/Hz	
		100Hz		-110		dBc/Hz	
		1KHz		-132		dBc/Hz	
		10KHz		-135		dBc/Hz	
		100KHz		-140		dBc/Hz	
Environmental,Mechanical Conditions							
Operating temperature range		-40°C to +85°C					
Storage temperature range		-50°C to +100°C					