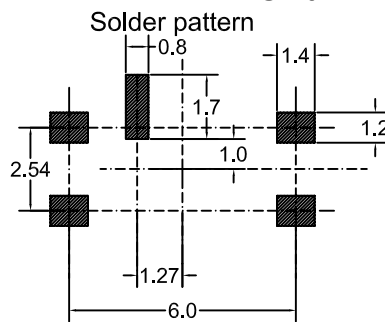
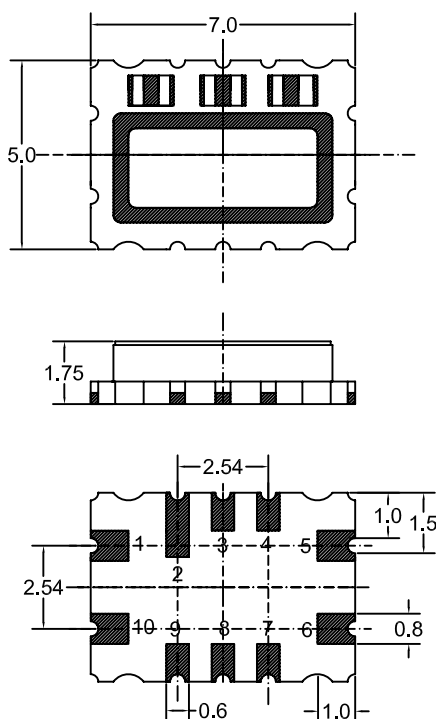


Specifications

Nominal Frequency Fo	16.8000 MHz	
Frequency stability:		
vs. temperature (Fmin + Fmax)/2	≤ ± 0.5 ppm ≤ ± 2.5 ppm	over -40 ~ +85 °C over -50 ~ -40 °C guaranteed
vs. supply change	≤ ±0.1 ppm	±5 %
vs. load change	≤ ±0.1 ppm	±10 %
vs. aging:	≤ ±1.0 ppm	1 st year
Frequency tolerance ex factory	≤ ±1.0 ppm	@+25 °C
Supply voltage	+3.3 V	5 %
Current consumption	< 5 mA	
Output signal	CMOS	
Output load	15 pF	±10 %
Electronic Frequency Control (EFC) range	ΔF > ±5 ppm	
EFC voltage Vc	+1.50 V ±1.0 V	positive slope
Tri-state function	pin # 9 high or open pin # 9 low or GND	pin # 6 → oscillation pin # 6 → high Impedance
Start-up time	< 5 ms	
Operating temperature range	-55 ~ +85 °C	
Storage temperature range	-55 ~ +125 °C	
Packing units	tape & reel	500 or 1'000 pcs

Mechanical Drawing and PIN Connections

Unit: mm



Pin function

- #1 Voltage Control
 - #5 GND
 - #6 Output
 - #9 Tri -state
 - #10 Vdc
- Do not connect #2, #3, #4, #7, #8

Do not design any conductive path between the pattern