

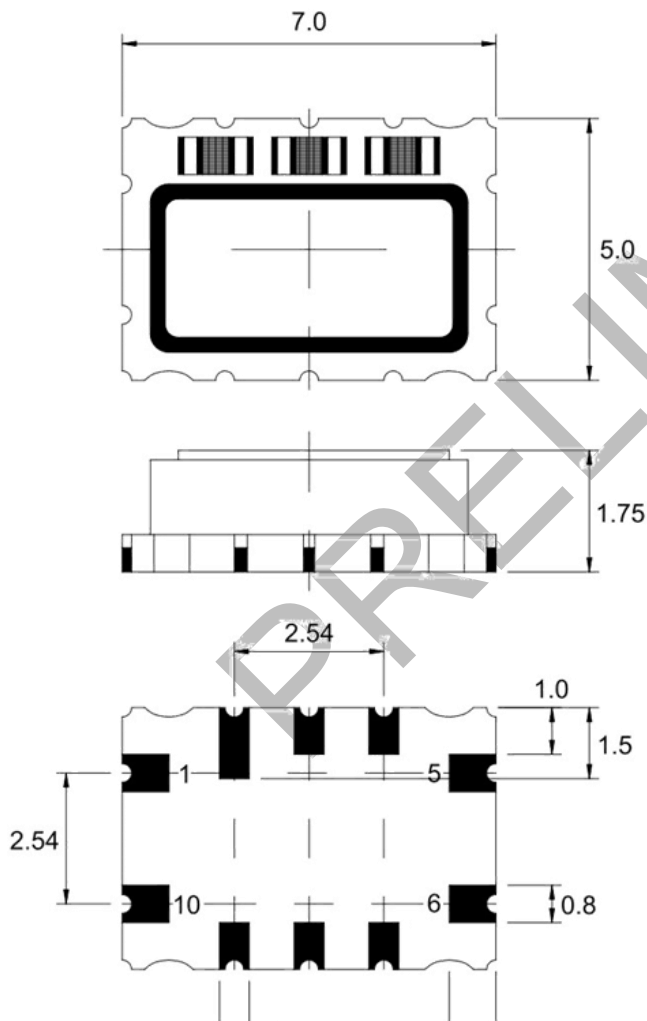
### Features and Benefits

Better than +/- 500 ppb from 0°C to +70°C  
5 MHz low noise CMOS output  
3.3V supply

### Typical Applications

Mobile SATCOM  
Mobile Radio  
Harsh Environments  
Femto-cell

### Mechanical Drawing



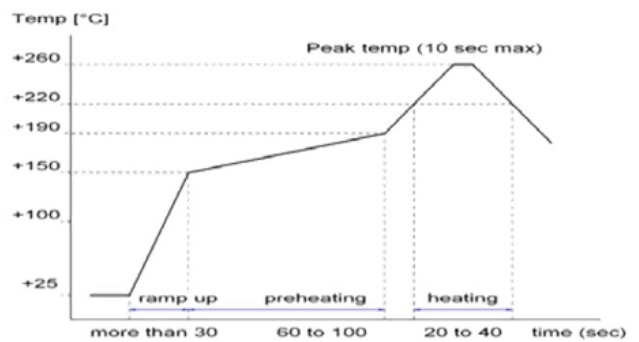
Unit = mm

PIN	CONNECTION
1	Not Connected
5	Ground
6	Ref Output Voltage
10	Supply Voltage

All other pins are not connected

Do not design any conductive path between the pattern

Example of IR reflow soldering temperature



## Specification

Parameter	Specification	
Nominal Frequency Fo	5.0000 MHz	
Frequency Stability:		
Vs. temperature ref to +25°C	≤ ±0.5 ppm	over 0 ~ +70°C
Vs. supply change	≤ ±0.1 ppm	± 5%
Vs. load change	≤ ±0.1 ppm	± 10%
Vs. aging	≤ ±1.0 ppm	1 <sup>st</sup> year
Frequency tolerance ex-factory	≤ ±1.0 ppm	@+25°C
Supply Voltage	+3.3 V	≤ 5%
Current Consumption	< 4 mA	
Output Waveform	CMOS	
Output Level	≥ 0.9 x Vdc	≤ 0.1 x Vdc
Output Load	15 pF	±10%
Rise/Fall Time	< 8 ns	
Start-Up Time	< 3 ms	
Operating Temperature Range	0 ~ +70 °C	
Storage Temperature Range	-55 ~ +105 °C	
Packing Units	Tape & reel Tape Segment only	500 or 1'000 pcs < 500 pcs