



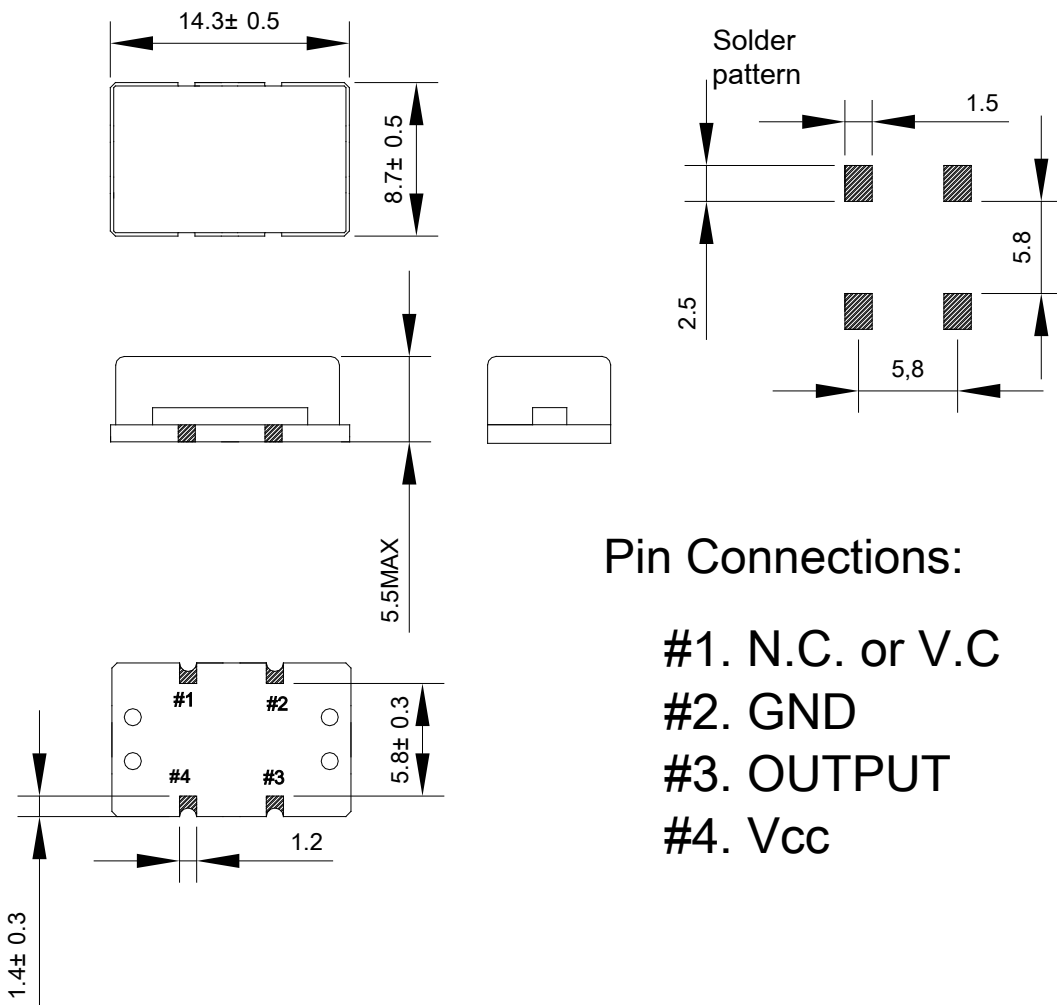
Features and Benefits

- High accurate temperate compensation
- HCMOS output signal
- Low aging ±1.0ppm max. at first year
- Operating temperature -40°C to +85°C

Mechanical Drawing & Pin Connections

Drawing No: MD150099-1

unit: mm





### Specifications

TCXO914K-70MHz-A Specification	Sym	Condition	Value			Unit	Note
			Min.	Typ.	Max.		
Operational Frequency	F <sub>nom</sub>			70		MHz	
Operating temperature range			-40		+85	°C	
<b>RF Output</b>							
Wave form				HCMOS			
Output Load				15		pF	
Duty cycle			45		55	%	
Rise/Fall time					5	ns	
<b>Power Supply</b>							
Voltage	V <sub>cc</sub>		4.75	5	5.25	V	
Input Current				25		mA	
<b>Frequency Stability</b>							
Vs. Temperature		over -40°C~+85°C,			±1.0	ppm	
Frequency Tolerance		@25°C			±1.5	ppm	
Aging	first year				±1.0	ppm	
<b>Environmental Conditions</b>							
Storage temperature range	-45°C to +90°C						
Soldering Conditions	Hand solder only – not reflow compatible 245°C 10s(on pins)						