



Features and Benefits

- Low phase noise
- Linear tuning characteristics
- Low pushing / Low pulling
- Aqueous washable

Typical Applications

- SATCOM Point –to-Point
- Receiver Radio
- Test Equipment MMDS
- Radar WiMax

Specifications

Parameter	Units	Min.	Typical	Max.
Operating Frequency Range	MHz	1150		1150
Output Power	dBm		8	
Phase Noise @10kHz offset	dBc/Hz		-130	
Tuning Voltage (Vt)	Vdc		1-8	
Tuning Voltage Sensitivity (Kv)	MHz/V		2	
2nd Harmonic Suppression	dBc		-20	
Power Supply (Vcc)	Voltage		8	
	Current	mA	29	
Operating Temp. Range	°C	-40		+85

Mechanical Drawing & Pin Connections

Drawing No: MD140084-1

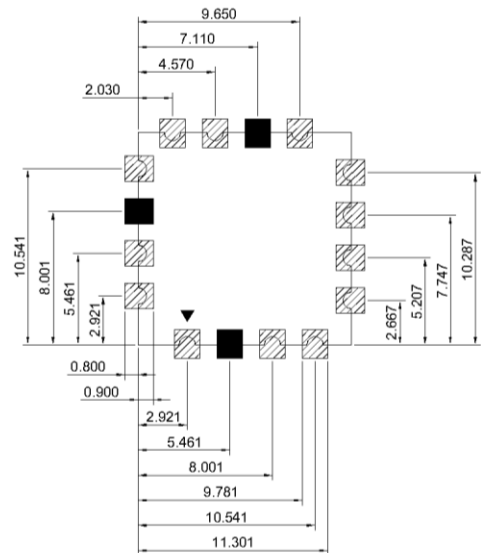
Top View



Bottom View



Foot Print



Side View



Pin Connections

2	Vt
10	RFOUT
14	Vcc
Others	GND

Unit : mm