



### Features and Benefits

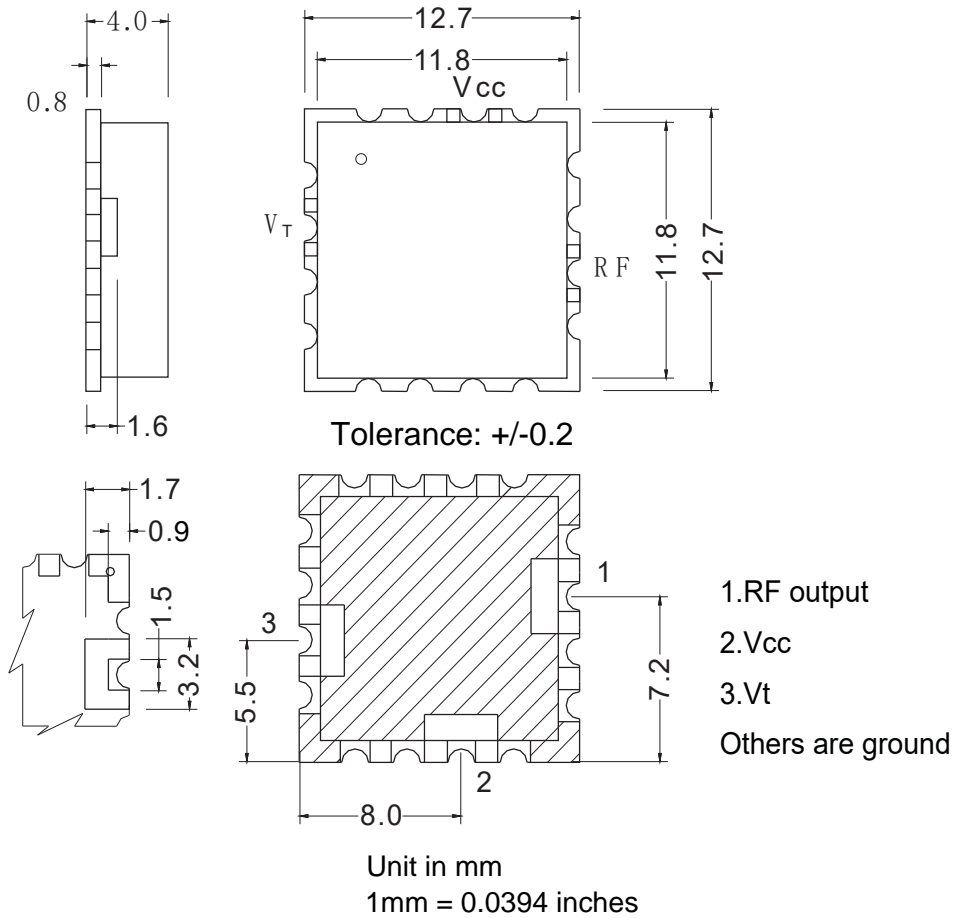
Frequency range: 1030MHz – 1090MHz  
Supply voltage: 5V  
Current: 25mA Typ.  
Output power: +6dBm Max.  
Tuning voltage: 1V to 4V  
Phase noise: -136dBc/Hz@100KHz  
Operating temperature: -40°C to +85°C  
Size: 12.7x12.7x4.0mm

### Typical Applications

SATCOM  
Receiver  
Radio  
MMDS  
Radar  
Test Equipment  
WiMax

### Mechanical Drawing & Pin Connections

Drawing No: MD230041-1





### Specifications

Parameter	Units	Min.	Typical	Max.
Operating Frequency Range	MHz	1030		1090
Power Supply (Vcc)	Voltage	4.75	5	5.25
	Current		25	
Output Power	dBm	0	3	6
Output Impedance	$\Omega$		50	
Phase Noise @1kHz offset	dBc/Hz		-80	
Phase Noise @10kHz offset	dBc/Hz		-115	
Phase Noise @100kHz offset	dBc/Hz		-136	
Phase Noise @1MHz offset	dBc/Hz		-155	
Tuning Voltage (Vt)	V	1		4
Tuning Voltage Sensitivity (Kv)	MHz / V		20	
2nd Harmonic Suppression	dBc		-30	
Pushing Figure	MHz / V		1	2
Pulling Figure	MHz		2	5
Input Capacitance	pF		51	
Operating Temperature Range	$^{\circ}\text{C}$	-40	+25	+85