



Features and Benefits

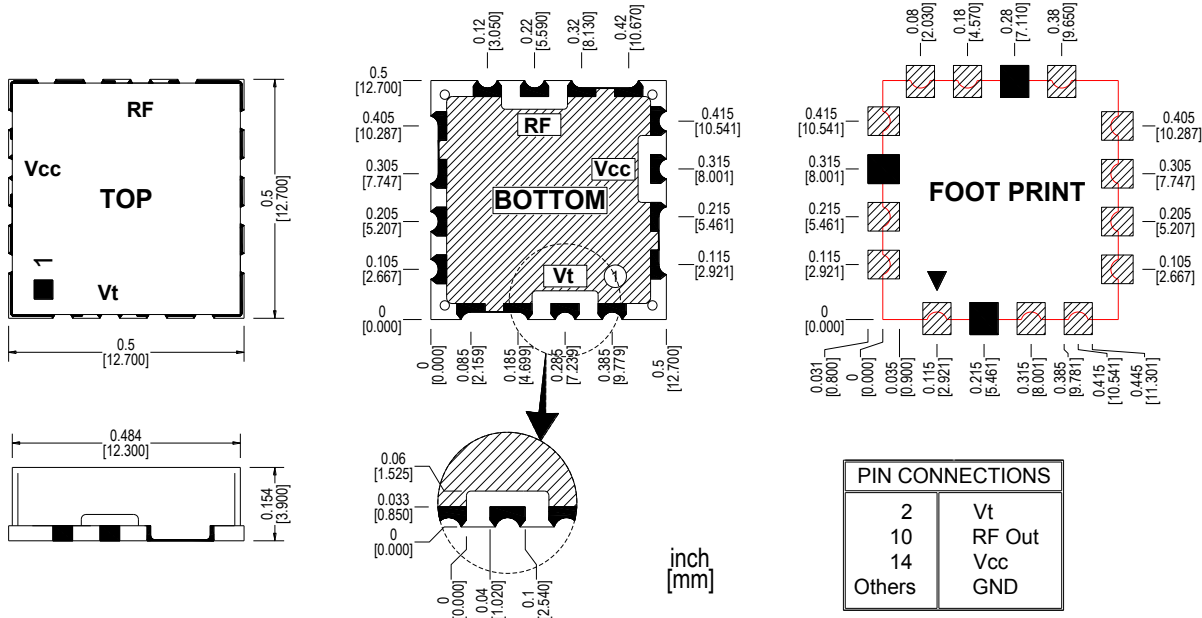
Frequency range: 1400MHz – 2650MHz
 Supply voltage: 5V
 Current: 40mA Max.
 Output power: +10dBm Max.
 Tuning voltage: 0V to 22V
 Phase noise: -112dBc/Hz@100KHz
 Operating temperature: -40°C to +85°C
 Size: 12.7x12.7x3.9mm

Typical Applications

- SATCOM
- Receiver
- Radio
- MMDS
- Radar
- Test Equipment
- WiMax

Mechanical Drawing & Pin Connections

Drawing No: MD140084-2





Specifications

Parameter	Units	Min.	Typical	Max.
Operating Frequency Range	MHz	1400		2650
Power Supply (Vcc)	Voltage		5	
	Current			40
Output Power	dBm	+2.5	+6.5	+10.5
Output Impedance	Ω		50	
Phase Noise @10kHz offset	dBc / Hz		-90	
Phase Noise @100kHz offset	dBc / Hz		-112	
Tuning Voltage (Vt)	V	0		+22
Tuning Voltage Sensitivity (Kv)	MHz / V		30-130	
2nd Harmonic Suppression	dBc		-12	
Pushing Figure	MHz / V		5	
Pulling Figure	MHz		15	
Input Capacitance	pF		100	
Operating Temperature Range	$^{\circ}\text{C}$	-40		+85