



**Features and Benefits**

- Low phase noise
- Linear tuning characteristics
- Low pushing / Low pulling
- Aqueous washable

**Typical Applications**

- SATCOM
- Receiver
- Test Equipment
- Radar
- Point –to-Point Radio
- MMDS
- WiMax

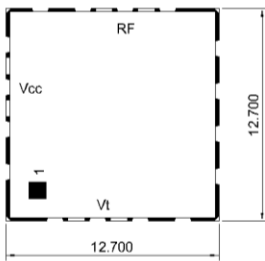
**Specifications**

Parameter	Units	Min.	Typical	Max.
Operating Frequency Range	MHz	1320		1320
Output Power	dBm		8	
Phase Noise @10kHz offset	dBc/Hz		-125	
Tuning Voltage (Vt)	Vdc		0.5-4.5	
Tuning Voltage Sensitivity (Kv)	MHz/V		4	
2nd Harmonic Suppression	dBc		-15	
Power Supply (Vcc)	Voltage		6.5	
	Current		28	
Operating Temp. Range	°C	-40		+85

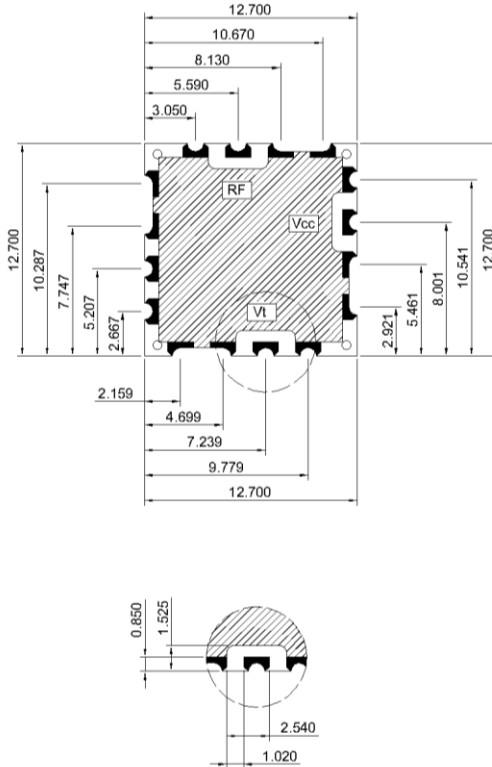
**Mechanical Drawing & Pin Connections**

Drawing No: MD140084-1

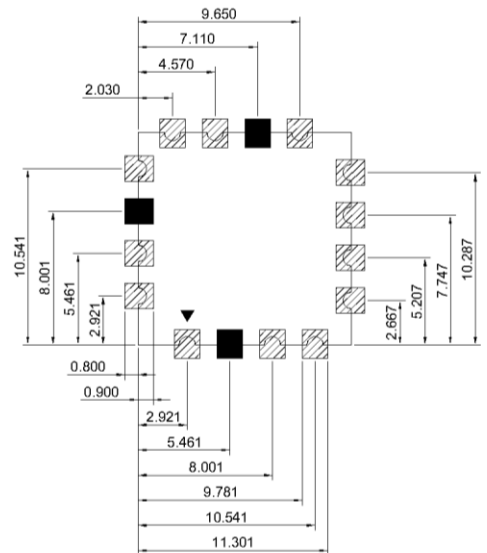
Top View



Bottom View



Foot Print



Side View



Pin Connections

2	Vt
10	RFOUT
14	Vcc
Others	GND

Unit : mm