



### Features and Benefits

- Low phase noise
- Linear tuning characteristics
- Low pushing / Low pulling
- Aqueous washable

### Typical Applications

- SATCOM
- Receiver
- Test Equipment
- Radar
- Point –to-Point Radio
- MMDS
- WiMax

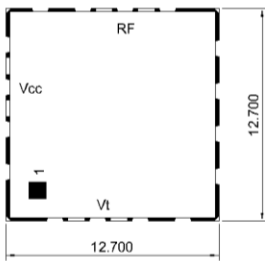
### Specifications

Parameter	Units	Min.	Typical	Max.
Operating Frequency Range	MHz	1600		2000
Output Power	dBm		6	
Phase Noise @10kHz offset	dBc/Hz		-100	
Tuning Voltage (Vt)	Vdc		1.3-13	
Tuning Voltage Sensitivity (Kv)	MHz/V		50	
2nd Harmonic Suppression	dBc		-10	
Power Supply (Vcc) Voltage	Vdc		5	
Power Supply (Vcc) Current	mA		16	
Operating Temp. Range	°C	-40		+85

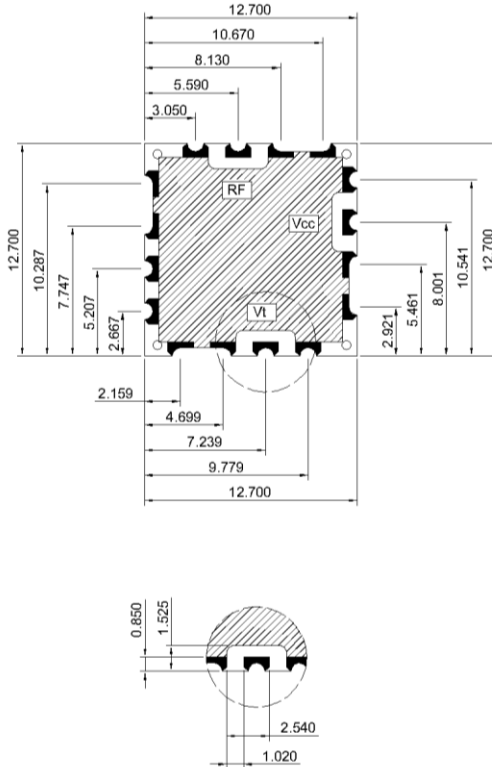
### Mechanical Drawing & Pin Connections

Drawing No: MD140084-1

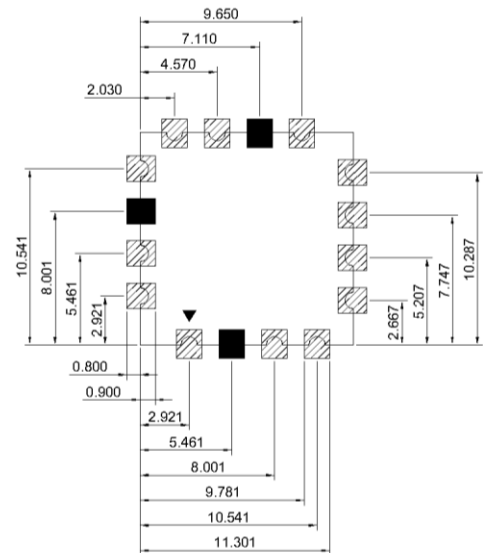
Top View



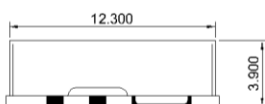
Bottom View



Foot Print



Side View



Pin Connections

2	Vt
10	RFOUT
14	Vcc
Others	GND

Unit : mm