

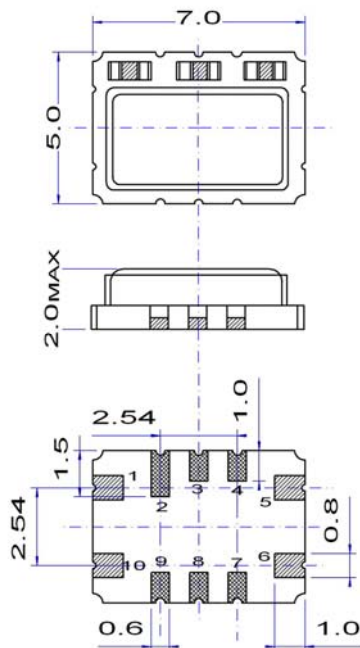
VCTCXO2000QST3-12.800MHz STRATUM-III SMD VC-TCXO

Application: Network synchronisation

Specification

Nominal Frequency Fo	12.8000 MHz	
Frequency stability	±4.6 ppm	overall
Inclusive	vs. temperature, tolerance @ +25°C, aging over 20 years, supply & load variation	
Frequency stability vs. temperature	≤ ±0.37 ppm	over -40 ~ +85 °C
Frequency tolerance ex factory	≤ ±0.5 ppm	@ +25 °C
Supply voltage	+3.3 V	±5 %
Current consumption	< 6 mA	
Output waveform	CMOS	
Output level	V _{OH} ≥ 0.9 Vdc	V _{OL} ≤ 0.1 Vdc
Output load	15 pF	±5 %
Symmetry	45 ~ 55 %	@ 50% Vdc
Rise / fall time	< 5 ns	
Tart-up time	< 2 ms	
Frequency tuning range	> ±5 ppm	positive slope
Voltage control Vc	+1.5 V ± 1.0 V	
E/D function	pin # 9 high or open pin # 9 low	pin # 6 → (E) oscillation pin # 6 → (D) high Impedance
Phase noise @ 12.8 MHz carrier frequency	< -115 dBc/Hz < -125 dBc/Hz < -135 dBc/Hz	@ 100 Hz @ 1 kHz @ 10 kHz
Operating temperature range	-40 ~ +85 °C	
Storage temperature range	-55 ~ +125 °C	
Marking	date code 12.800 MHz	
Packing units	tape & reel tape	500 & 1'000 pieces < 500 pieces

Mechanical Dimensions



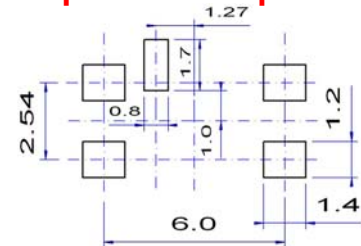
Pin function

- # 1 Vc
- # 5 GND
- # 6 Output
- # 9 Tri-state
- # 10 Vdc

Do not connect
#2, #3, #4, #7 & #8

Do not design any conductive path between the pattern

Example for solder pattern



Reflow Condition

