



# Dynamic Engineers Inc.

2550 Gray Falls Dr., Suite#128, Houston, TX, 77077 USA  
TEL: 1-281-870-8822 EMAIL:Sales@DynamicEng.com

LC8\$% 6 A SgYfJYg

GE&A FE Á { ÂT ÖÁÔ!^•caÁU•&|æf |Á

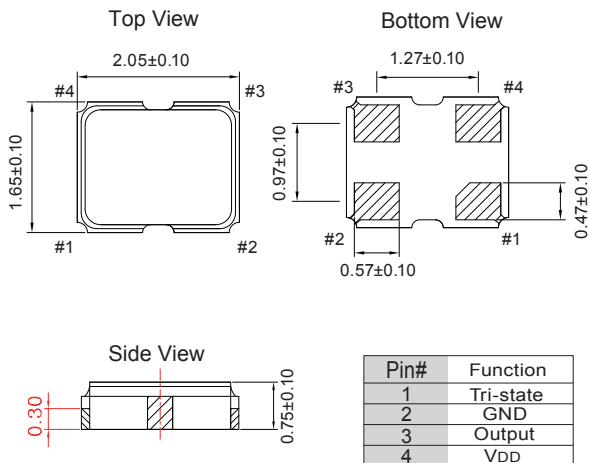
## Features and Benefits

- Typical 2.05 x 1.65 x 0.75 mm ceramic SMD package
- Operation supply voltage: 1.8V, 2.5V and 3.3V
- FASTXO series, Fast delivery at any frequency
- Tri-State Enable/Disable
- Frequency Stability  $\pm 25$ ppm over -40C to 85C
- Pb-free/RoHS compliant

## Typical Applications

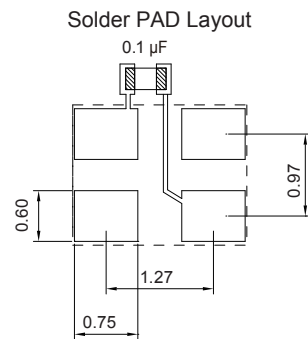
- Wearable device
- Mobile device
- IoT, Smartphone
- Game console

## Mechanical Drawing & Pin Connections



Unit in mm  
1mm = 0.0394 inches

Drawing No: MD&\$\$\$%4%



To ensure optimal oscillator performance, place a by-pass capacitor of 0.1µF as close to the part as possible between Vdd and GND pads.



## Specifications

Specification	Condition	3.3V		2.5V		1.8V		Unit
		Min.	Max.	Min.	Max.	Min.	Max.	
Supply Voltage Variation		VDD-5%	VDD+5%	VDD-5%	VDD+5%	VDD-5%	VDD+5%	V
Frequency Range		1	200	1	200	1	125	MHz
Supply Current	@ 15pf Loading	-	30	-	28	-	20	mA
Output Level	Output High	90%VDD	-	90%VDD	-	90%VDD	-	V
	Output Low	-	10%VDD	-	10%VDD	-	10%VDD	
Transition	Rise/Fall Time	-	2	-	2	-	3	nSec
Duty Cycle		45	55	44	45	45	55	%
Start Time		-	8	-	8	-	8	mSec
Output Loading		15		15		15		pF
Tri-State	Enable	0.7VDD	-	0.7VDD	-	0.7VDD	-	V
	Disable	-	0.3VDD	-	0.3VDD	-	0.3VDD	
RMS Phase Jitter	Integrated 12KHz to 20MHz@ 3.3V	-	1	-	1	-	1.5	pSec
Stand by Current (@PD Mode)		-	400	-	400	-	400	uA
Stand by Current (@OE Mode)		-	20	-	20	-	20	mA
Aging	@25°C 1 <sup>st</sup> year	-	±3	-	±3	-	±3	ppm
Storage Temp. Range		-50°C to +125°C						°C

Note: \*Transition times are measured between 10% and 90% of V<sub>DD</sub> with an output load of 15pF

## Frequency Stability vs. Temperature

	±15PPM	±20PPM	±25PPM	±50PPM
-20°C to +70°C	Conditional	Available	Available	Available
-40°C to +85°C	Not Available	Conditional	Available	Available
-40°C to +105°C	Not Available	Not Available	Conditional	Available

Note: not all combination of options are available. Other specifications may be available upon request.