



### Features and Benefits

- 2.5x2.0 size, low profile of 0.8mm
- Frequency range from 4MHz to 75MHz
- Low voltage operation
- Low current consumption
- 3-state function
- Automatic mounting and reflow soldering
- RoHS Compliant /Pb Free

### Typical Applications

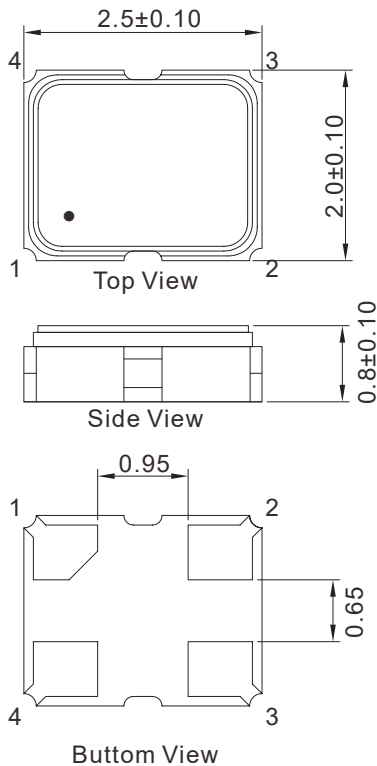
- IWLAN
- GPS
- Bluetooth,
- Smart phone, Cellular, DVC, etc.

### Description

XO2520AL offers frequency range from 4MHz to 75MHz, high precision and high frequency stability, allowing for high density surface mounting, ideally suited designed for use in Portable Applications.

### Mechanical Drawing & Pin Connections

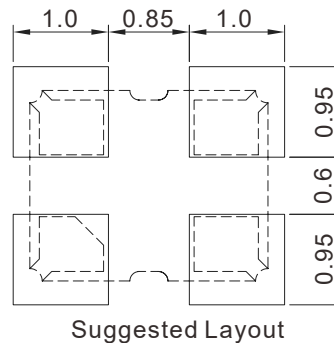
Drawing No: MD20001, -1



#### Pin Connections

Pin No.	Connection
1	OE (Output Enable)
2	GND
3	Output
4	Vcc

Unit in mm  
1mm = 0.0394 inches





**Specifications**

Oscillator Specification	Sym	Condition	Value			Unit	Note
			Min.	Typ.	Max.		
Frequency	F		4		75	MHz	
Output			CMOS				
Oscillator Mode			Fundamental				
Rise Time / Fall Time	Tr / Tf				5.0	nsec	
Start Time					5	msec	
Output Load				15		pF	
Symmetry (Duty ratio)			45		55	%	
<b>Power Supply</b>							
Supply Voltage	V <sub>DD</sub>			3.3		V	(1.8V, 2.5V available)
Supply Current					5	mA	
Voltage Vol (Max.) /Voh (Min.)			0.1 V <sub>DD</sub> /0.9 V <sub>DD</sub>				
<b>Frequency Stability</b>							
Frequency Stability			±25ppm, ±50ppm			ppm	
Aging		@+25°C 1st year			±3	ppm	
Phase Jitter (12KHz~20MHz)					1	pS	
<b>Environmental Conditions</b>							
Operating temperature range		-40°C to +85°C					
Storage temperature range		-55°C to +125°C					