



Features and Benefits

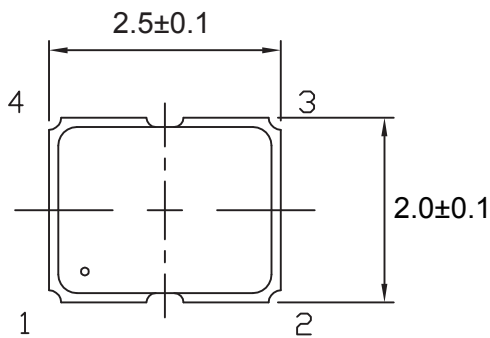
Frequency range: 6.5MHz
Supply voltage: 5V
Steady current: 10mA Max
Output waveform: CMOS
Frequency Tolerance: ± 50 ppm
Aging: ± 5 PPM first year
Operating temperature: -40°C to +85°C
Size: 2.5x2.0x1.0mm

Typical Applications

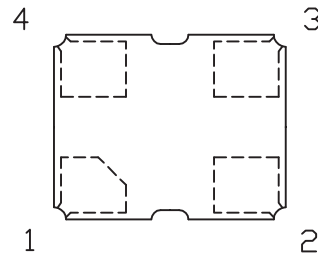
IWLAN
GPS
Smart phone

Mechanical Drawing & Pin Connections

Drawing No: MD200055-1

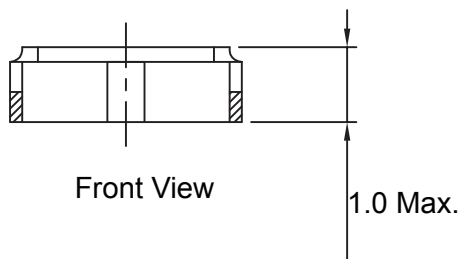


Top View

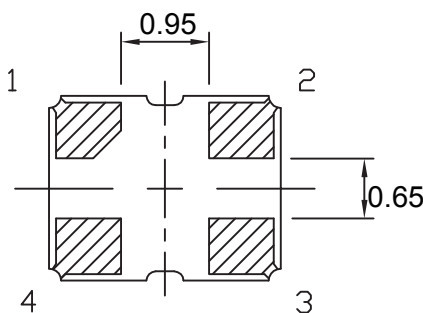


1--INH
2--GND
3--Output
4--VDD

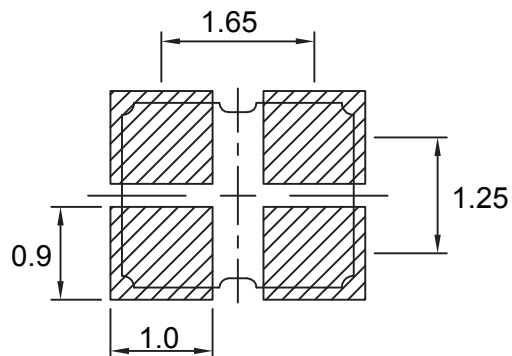
INH	'H' or Open	'L' (Standby)
Output	Enable	High Impedance



Front View



Bottom View



Recommended Land Pattern



Specifications

Oscillator Specification	Sym	Condition	Value			Unit	Note
			Min.	Typ.	Max.		
Frequency Range				6.5		MHz	
RF Output							
Output Waveform			CMOS				
Load	R _L				15	pF	
H-Level Voltage	V _H		90% V _{DD}			V	
L- Level Voltage	V _L				10% V _{DD}	V	
Symmetry		@50%VDC	40%		60%		
Rise and Fall Time		Tr/Tf			10	ns	
Power Supply							
Supply Voltage	V _{cc}	±10%		5.0		V	
Current					10	mA	
Standby Current				10		uA	
Frequency Stability							
Frequency Tolerance		-40°C to +85°C			±50	ppm	
Aging 1 st Year					±5.0	ppm	
Environmental, Mechanical Conditions							
Operating temperature range	-40°C to +85°C						
Storage temperature range	-40°C to +90°C						