



Features and Benefits

Frequency range: 16MHz-60MHz
Load capacitance: 6-20pF
Drivel level: 10-100uW
Stability: ±15ppm to ±50ppm
Operating temperature: -40°C --+85°C
Size: 2.05x1.65x0.6mm

Typical Applications

Bluetooth, Mobile phone, GPS
Wireless LAN,4G/LTE
Hard Disk

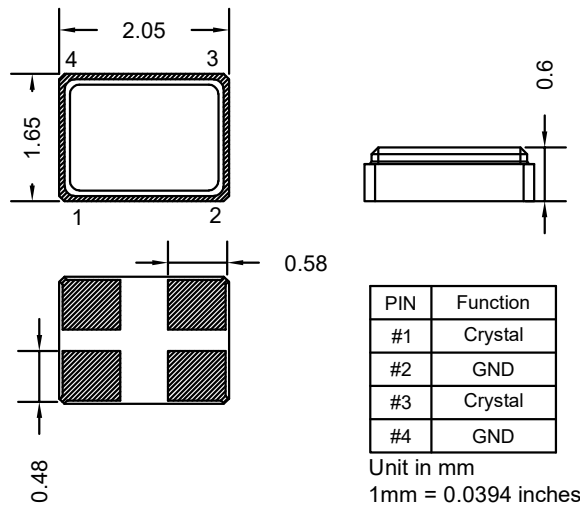
Description

XTAL2016AX offers Tight tolerance and High stability.

This device is suitable for use under various telecom and network communication applications.

Mechanical Drawing & Pin Connections

Drawing No: MD24001) -1





Specifications

Oscillator Specification	Sym	Condition	Value			Unit	Note
			Min.	Typ.	Max.		
Frequency Range			16		60	MHz	
Frequency Tolerance		@+25°C	±10, ±20			ppm	
Frequency Stability			±15, ±20, ±50			ppm	
Aging		First year			±3.0	ppm	
Mode			Fund				
Level of drive				10	100	uW	
DLD		50nW to 100uW			±10	ppm	
RLD		50nW to 100uW			20%	ohm	
Shunt capacitance	C0				5.0	pF	
Load Capacitance	CL		8,18,20			pF	
Insulative Resistance		Min @ 100Vdc ±15Vdc		500		Mohm	
Equivalent Series Resistance (ESR)		16-19MHz			150	ohm	
		20-39MHz			100		
		40-60MHz			70		
Operating temperature			-20°C to +70°C, -40°C to +85°C				
Storage temperature			-55 °C to +125°C				
Sealing Method			Seam Weld				
Moisture Sensitivity Level			1				