



Features and Benefits

- 2.5x2.0mm size ultra-miniature and lightweight SMD crystal units with low profile of 0.55mm
- Frequency range from 12MHz to 54MHz
- High precision and high frequency stability
- Allowing for high density surface mounting
- Automatic mounting and reflow soldering
- RoHS Compliant /Pb Free

Typical Applications

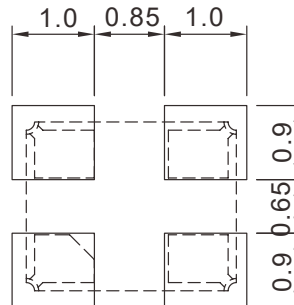
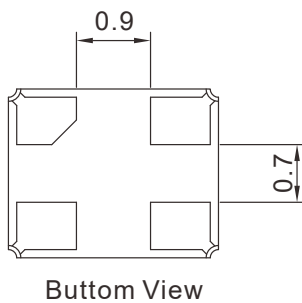
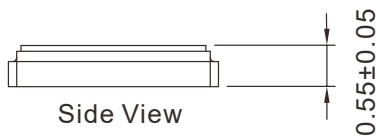
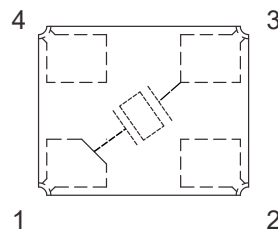
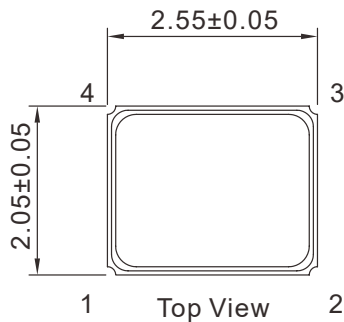
- Wireless communications
- PC, IPAD, PDA, Wearable device, etc.

Description

XTAL2520AL offers frequency range from 12MHz to 54MHz, High precision and high frequency stability, allowing for high density surface mounting, Ideally suited designed for use in Portable Applications.

Mechanical Drawing & Pin Connections

Drawing No: MD200011-1



Unit in mm
1mm = 0.0394 inches



Dynamic Engineers Inc.

2550 Gray Falls Dr., Suite#128, Houston, TX, 77077 USA
TEL: 1-281-870-8822 EMAIL:Sales@DynamicEng.com

XTAL2520AL
SMD Crystal Units

Specifications

| Oscillator Specification | Sym | Condition | Value | | | Unit | Note |
|--|-----|----------------------------|----------------------------|------|------|------|------|
| | | | Min. | Typ. | Max. | | |
| Frequency Range | F | | 12 | | 54 | MHz | |
| Load Capacitance | | | 8pF, 10pF, 12pF or specify | | | pF | |
| Shunt Capacitance | C0 | | | | 5 | pF | |
| Drive Level | | | 1 | 50 | 200 | uW | |
| Equivalent Series Resistance (Fundamental) | | 12~13 MHz | | | 150 | ohm | |
| | | 12~30 MHz | | | 60 | ohm | |
| | | 30~54 MHz | | | 60 | ohm | |
| Frequency Stability | | | | | | | |
| Frequency Stability | | Over Operating Temperature | ±10ppm, ±30ppm, or specify | | | ppm | |
| Frequency Tolerance | | (at 25°C) | ±10ppm, ±30ppm, or specify | | | ppm | |
| Aging | | @+25°C 1st year | | | ±3 | ppm | |
| Environmental Conditions | | | | | | | |
| Operating temperature range | | -20°C to +70°C | | | | | |
| Storage temperature range | | -55°C to +125°C | | | | | |