



Features and Benefits

Frequency range: 10MHz-60MHz(Fundamental)
40MHz-150MHz(3rd overtone)
Load capacitance: 6-20pF
Drivel level: 10-100uW
Stability: ±15ppm to ±50ppm
Operating temperature: -40°C --+85°C
Size: 3.2x2.5x0.8mm

Typical Applications

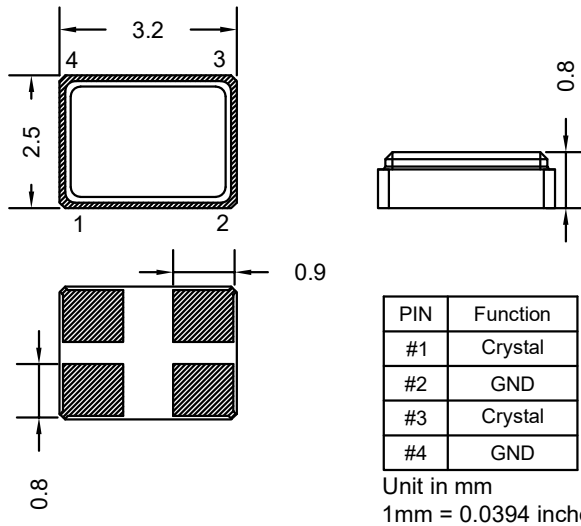
Bluetooth, Mobile phone, GPS
Wireless LAN,4G/LTE
Hard Disk

Description

XTAL3225AX offers Tight tolerance and High stability.
This device is suitable for use under various telecom and network communication applications.

Mechanical Drawing & Pin Connections

Drawing No: MD240014-1





Specifications

Oscillator Specification	Sym	Condition	Value			Unit	Note
			Min.	Typ.	Max.		
Frequency Range		40-150MHz for 3 rd overtone	10		60	MHz	
Frequency Tolerance		@+25°C	±10, ±20			ppm	
Frequency Stability			±15, ±20, ±50			ppm	
Aging		First year			±3.0	ppm	
Mode			Fundamental or 3 rd overtone				
Level of drive				10	100	uW	
DLD		50nW to 100uW			±10	ppm	
RLD		50nW to 100uW			20%	ohm	
Shunt capacitance	C0				5.0	pF	
Load Capacitance	CL		8,18,20			pF	
Insulative Resistance		Min @ 100Vdc ±15Vdc		500		Mohm	
Equivalent Series Resistance (ESR)		10-16MHz			100	ohm	
		16-20MHz			80		
		20-29MHz			60		
		30-60MHz			60		
		40-150MHz (3 rd overtone)			80		
Operating temperature			-20°C to +70°C, -40°C to +85°C				
Storage temperature			-55 °C to +125°C				
Sealing Method			Seam Weld				
Moisture Sensitivity Level			1				