



### Features and Benefits

Frequency range: 1.536MHz-60MHz(Fundamental)  
61MHz-130MHz(3<sup>rd</sup> overtone)

Load capacitance: 6-20pF

Drivel level: 100uW

Stability: ±15ppm to ±50ppm

Operating temperature: -40°C -+85°C

Size: 11.5x5x13.46mm

### Typical Applications

Bluetooth, Mobile phone, GPS

Wireless LAN,4G/LTE

Hard Disk

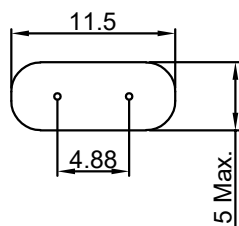
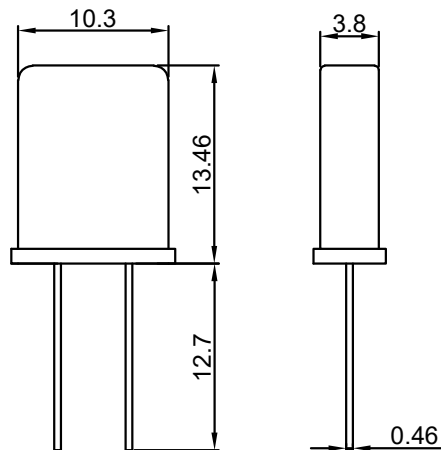
### Description

XTALHC49UAX offers Tight tolerance and High stability.

This device is suitable for use under various telecom and network communication applications.

### Mechanical Drawing & Pin Connections

Drawing No: MD240023-1



Unit in mm  
1mm = 0.0394 inches



### Specifications

Oscillator Specification	Sym	Condition	Value			Unit	Note
			Min.	Typ.	Max.		
Frequency Range		61-130MHz for 3 <sup>rd</sup> overtone	1.536		60	MHz	
Frequency Tolerance		@+25°C	±10, ±20			ppm	
Frequency Stability			±15, ±20, ±50			ppm	
Aging		First year			±5.0	ppm	
Mode			Fundamental or 3 <sup>rd</sup> overtone				
Level of drive				100		uW	
DLD		50nW to 100uW			±10	ppm	
RLD		50nW to 100uW			20%	ohm	
Shunt capacitance	C0		1.0		7.0	pF	
Load Capacitance	CL		8,18,20			pF	
Insulative Resistance		Min @ 100Vdc ±15Vdc		500		Mohm	
Equivalent Series Resistance (ESR)		Dependent on Frequency and Mode	25		500	ohm	
Operating temperature			-20°C to +70°C, -40°C to +85°C, -10°C to +60°C				
Storage temperature			-55 °C to +125°C				
Sealing Method			Resistance Weld				
Moisture Sensitivity Level			1				