



Features and Benefits

Frequency range: 121.755MHz
Load capacitance: 18pF
Drivel level: 100uW
Stability: ±15PPM
Operating temperature: -20°C to +70°C
Size: 7.9x7.1x2.4mm

Typical Applications

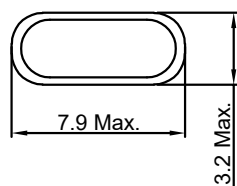
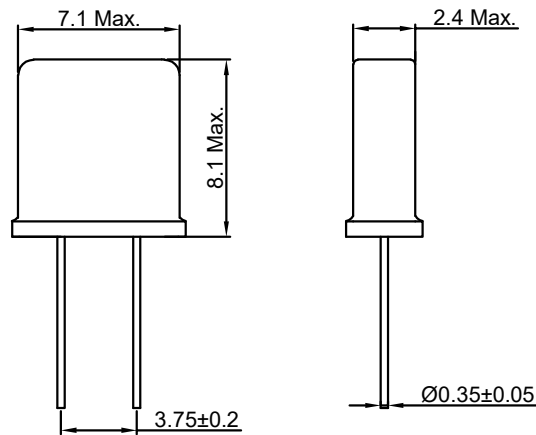
Bluetooth wireless communication sets
DSN, PDA and Mobile Phone

Description

XTALUM1BE-121.755MHz-A offers 121.755MHz frequency, High precision and high frequency stability, Allowing for high density mounting, Ideally suited designed for use in Portable Applications.

Mechanical Drawing & Pin Connections

Drawing No: MD230044-1



Unit in mm
1mm = 0.0394 inches



Specifications

Oscillator Specification	Sym	Condition	Value			Unit	Note
			Min.	Typ.	Max.		
Frequency	F		121.755000			MHz	
Load Capacitance	C _L		18			pF	
Shunt Capacitance	C ₀				7.0	pF	
Rated Drive Level				100		uW	
Equivalent Resistance					60	ohm	
Insulation Resistance		DC 100V	500			Mohm	
Frequency Stability							
Frequency Stability		Over Operating Temperature	±15			ppm	
Frequency Tolerance		at 25°C±3°C	±20			ppm	
Aging in a year					±3	ppm	
Environmental Conditions							
Operating temperature range		-20°C to +70°C					
Storage temperature range		-40°C to +85°C					